



SERVICE PARTS LIST

BULLETIN NO.
54-06-0006

SPECIFY CATALOG NO. AND SERIAL NO. WHEN ORDERING PARTS		REVISED BULLETIN	DATE
USB Rechargeable 800L Compact Flashlight			June 2020
CATALOG NO. 2160-20	STARTING SERIAL NO.	WIRING INSTRUCTION	

EXAMPLE:
Component Parts (Small #)
Are Included When Ordering
The Assembly (Large #).

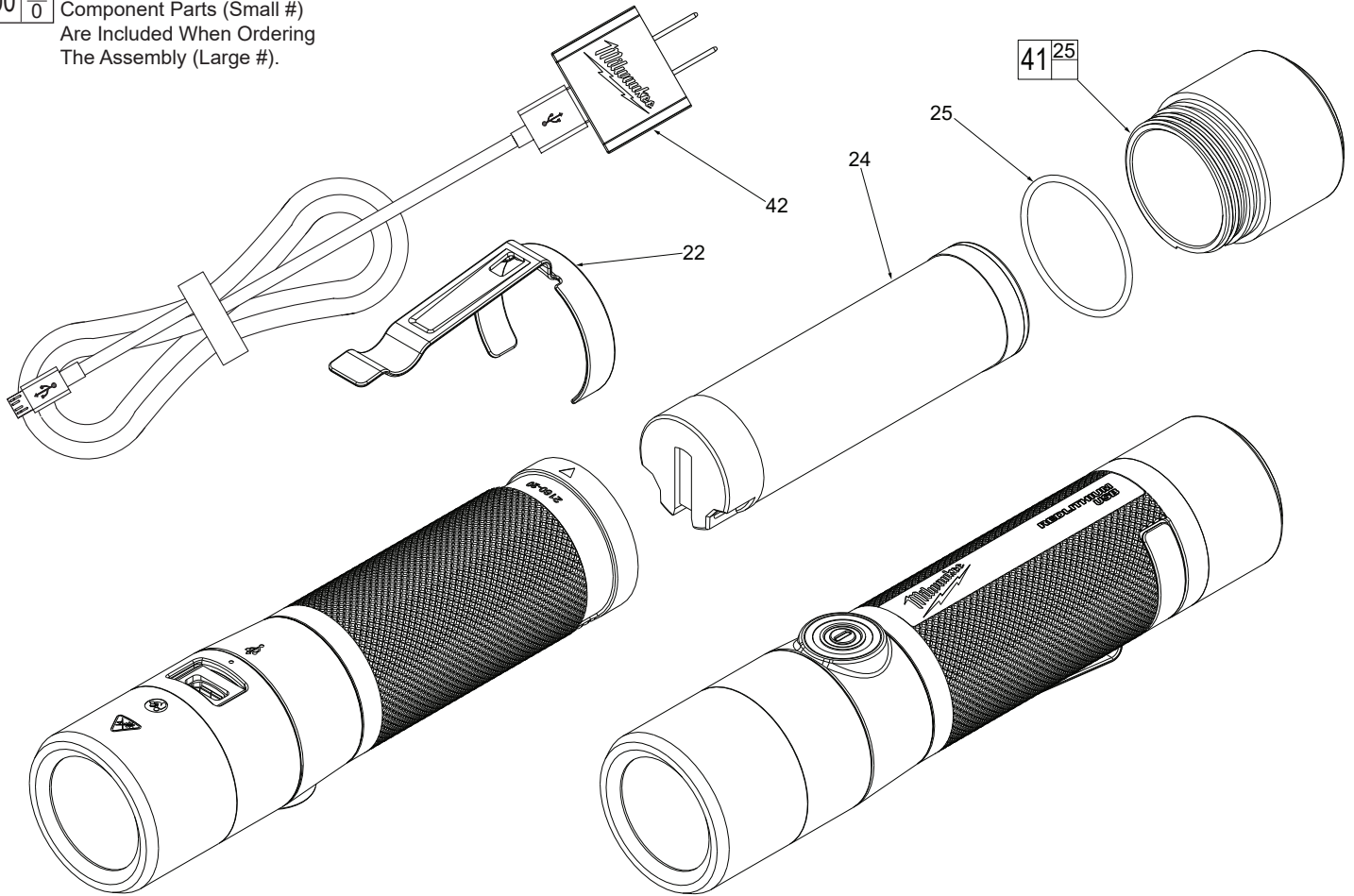


FIG.	PART NO.	DESCRIPTION OF PART	NO. REQ.
22	42-70-0005	Clip	(1)
24	48-11-2130	REDLITHIUM® USB Battery (Optional)	(1)
25	34-40-2001	O-Ring	(1)
41	28-20-2120	Battery Cover Assembly	(1)
42	48-59-1202	Wall Plug and Micro-USB Cable (Optional)	(1)
	12-20-2162	Service Nameplate	(1)