



SERVICE PARTS

BULLETIN NO.
54-06-2530

SPECIFY CATALOG NO. AND SERIAL NO. WHEN ORDERING PARTS		REVISED BULLETIN	DATE
M18™ ROCKET™ LED TOWER LIGHT/CHARGER			Jan. 2021
CATALOG NO. 2136-20	STARTING SERIAL NO. L60A	WIRING INSTRUCTION	

EXAMPLE:
Component Parts (Small #)
Are Included When Ordering
The Assembly (Large #).

Light Head Assemblies come in two different configurations. Light Head Assembly w/ Two Wires (106) and Light Head Assembly w/ Four Wires (105).

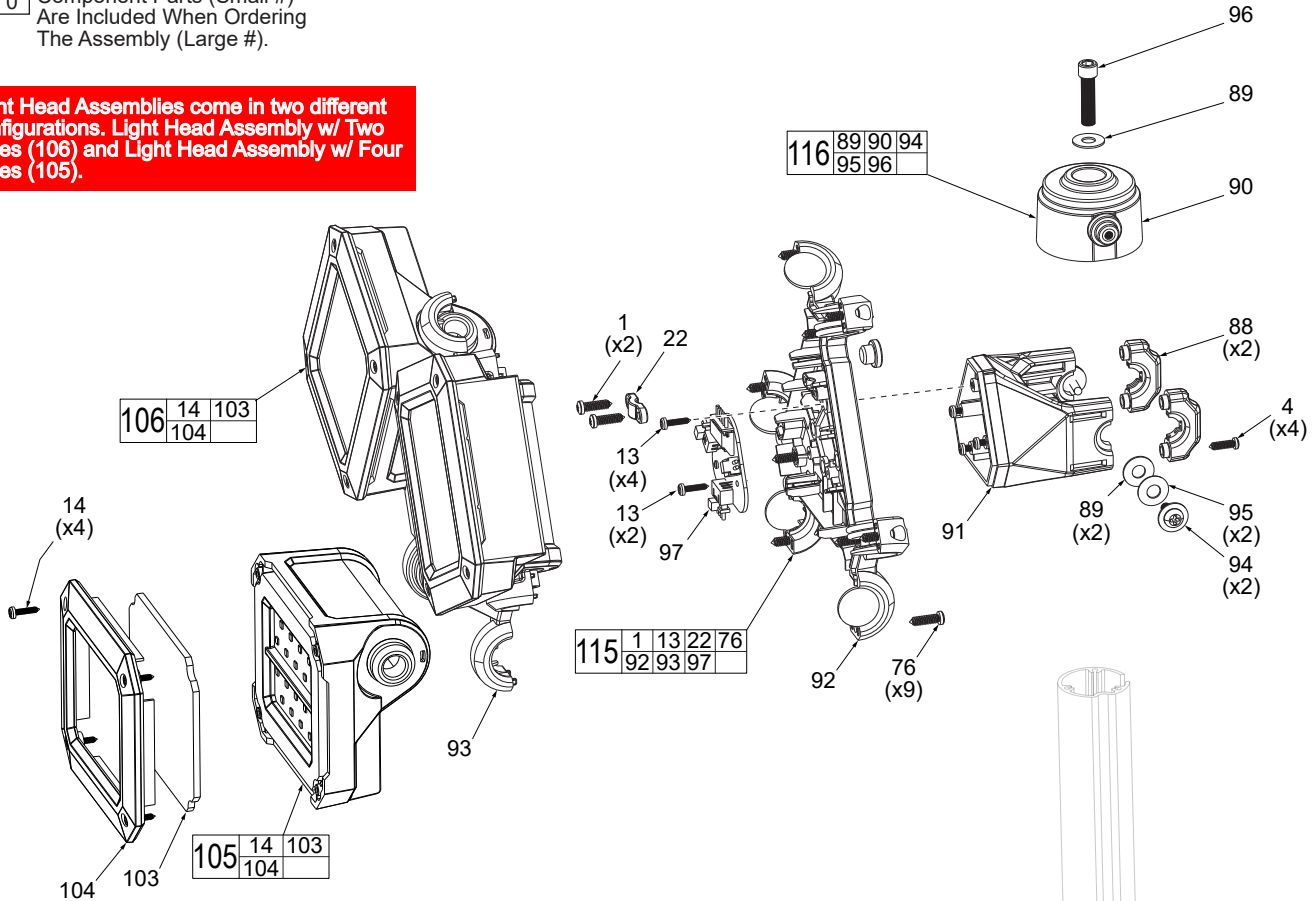
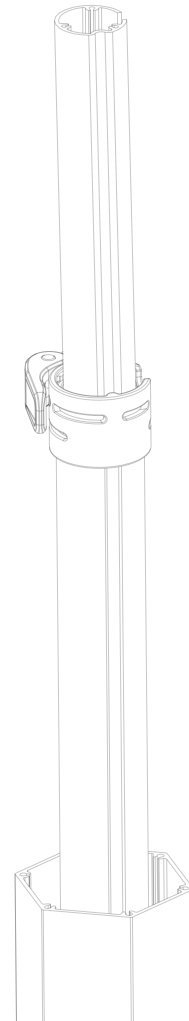


FIG.	PART NO.	DESCRIPTION OF PART	NO. REQ.
1	05-87-0016	Self Tapping Screw	(2)
4	05-87-0017	M3.5 x 20mm ST Phillips Screw	(4)
13	05-87-0014	M3 x 12mm ST Phillips Screw	(6)
14	06-82-0229	M3 x 16mm ST Phillips Screw	(4)
22	23-94-0248	Wire Holder	(1)
76	05-87-0019	M3.5 x 12mm ST Phillips Screw	(9)
88	22-68-0079	Light Head Base Bottom Cover	(2)
89	45-88-0202	Washer	(3)
90	28-06-0036	Light Head Base	(1)
91	43-72-0081	Light Head Holder	(1)
92	22-68-0080	Light Head Bottom Cover	(1)
93	22-68-0081	Light Head Top Cover	(1)
94	05-74-0066	Anti-Loose Screw	(2)
95	45-88-0346	Wave Washer	(2)
96	06-75-0006	M6 Hex Socket Machine Screw	(1)
97	22-09-0032	Light Head Board	(1)
103	44-06-0082	LED Lens	(1)
104	22-68-0077	LED Lens Cover	(1)
105	14-20-0190	Light Head Assembly w/ Four Wires	(1)
106	14-20-0191	Light Head Assembly w/ Two Wires	(2)
115	22-09-0027	Light Head Cover Kit	(1)
116	42-52-0505	LED Mounting Cap w/ Washers and Screws	(1)



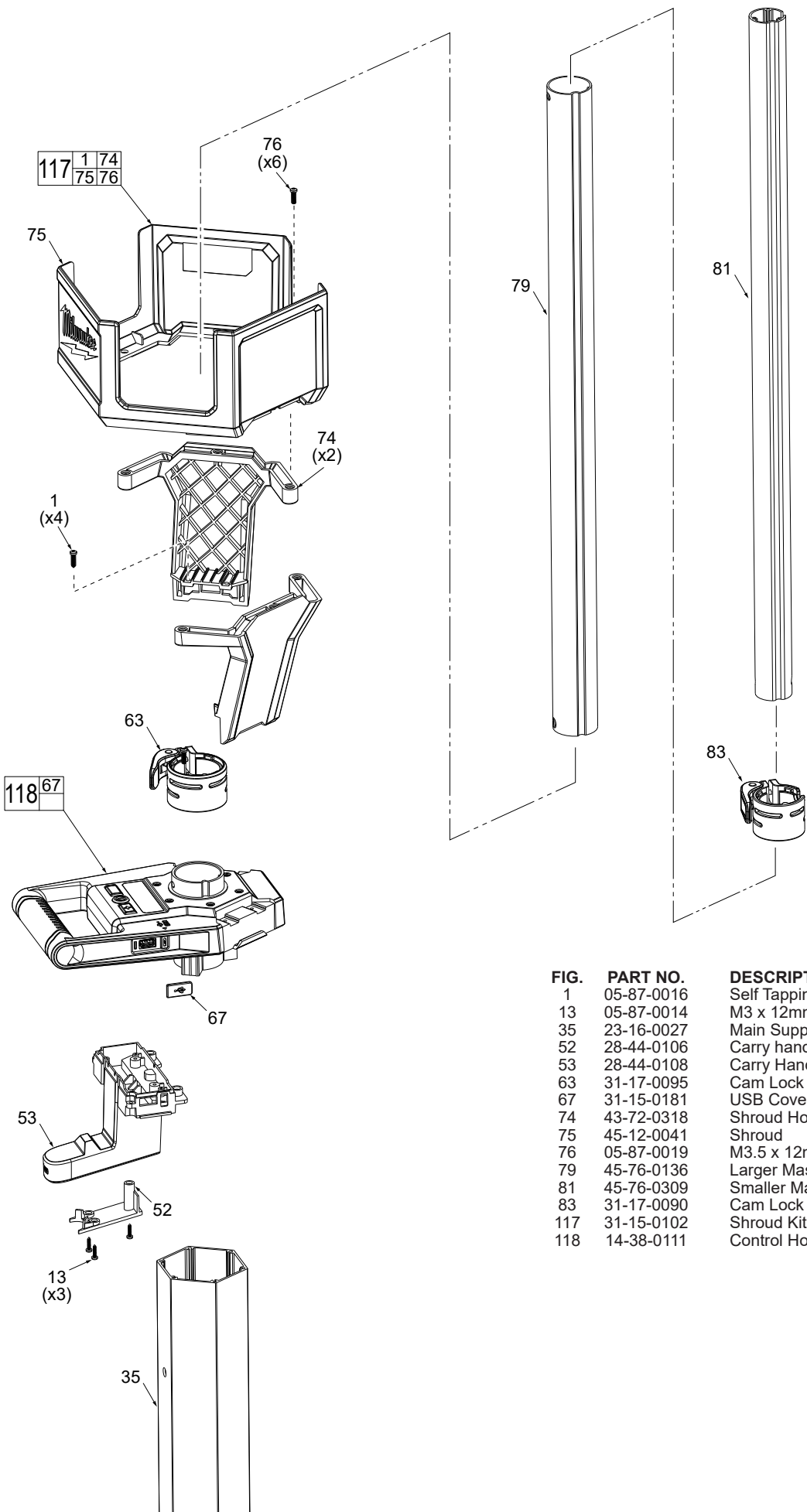


FIG.	PART NO.	DESCRIPTION OF PART	NO. REQ.
1	05-87-0016	Self Tapping Screw	(4)
13	05-87-0014	M3 x 12mm ST Phillips Screw	(3)
35	23-16-0027	Main Support Column	(1)
52	28-44-0106	Carry handle Top Holder Cover	(1)
53	28-44-0108	Carry Handle Top Holder	(1)
63	31-17-0095	Cam Lock Base Assembly (Large)	(1)
67	31-15-0181	USB Cover	(1)
74	43-72-0318	Shroud Holder	(2)
75	45-12-0041	Shroud	(1)
76	05-87-0019	M3.5 x 12mm ST Phillips Screw	(6)
79	45-76-0136	Larger Mast	(1)
81	45-76-0309	Smaller Mast	(1)
83	31-17-0090	Cam Lock Assembly (Small)	(1)
117	31-15-0102	Shroud Kit	(1)
118	14-38-0111	Control Housing Assembly	(1)

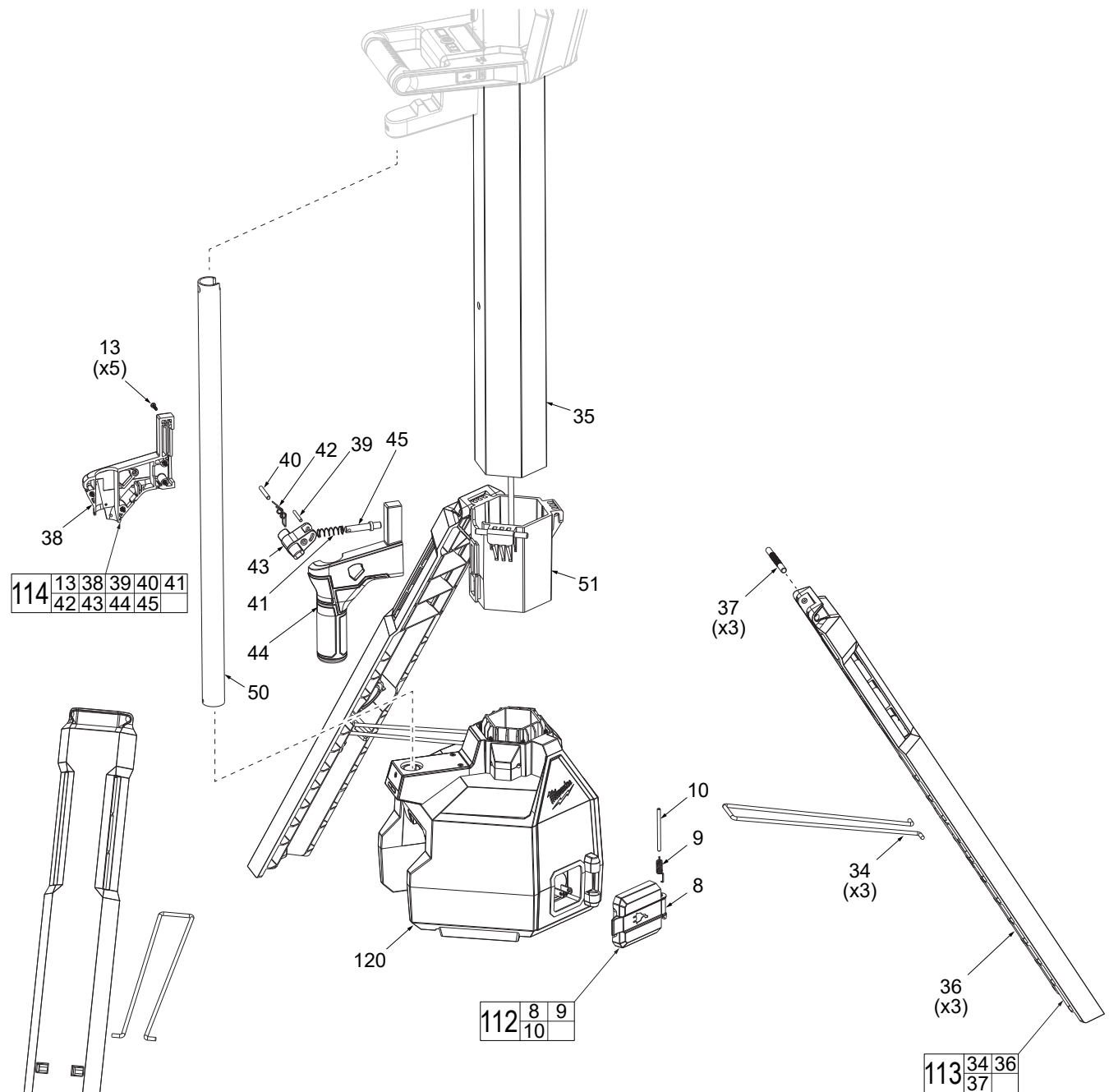
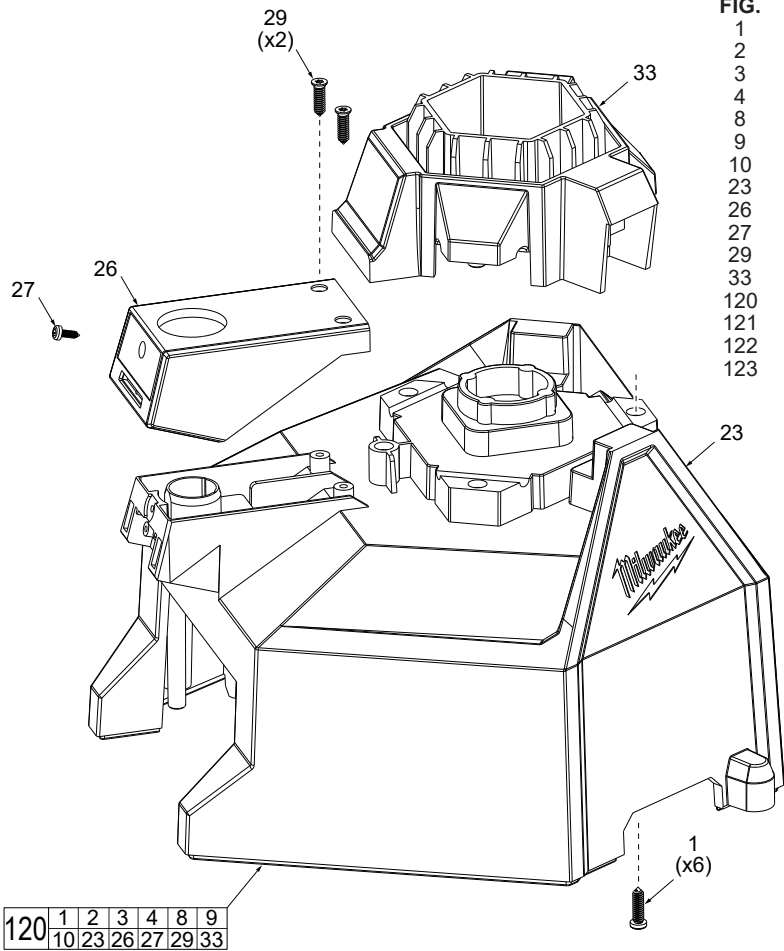


FIG.	PART NO.	DESCRIPTION OF PART	NO. REQ.
	8	44-50-0016 AC Outlet Door	(1)
	9	40-50-0242 AC Outlet Door Spring	(1)
	10	44-50-0018 AC Outlet Door Pin	(1)
	13	05-87-0014 M3 x 12mm ST Phillips Screw	(5)
	34	Wire Leg Linkage	(3)
	35	23-16-0027 Main Support Column	(1)
	36	Support Leg	(3)
	37	44-60-1655 Leg Support Pin	(3)
	38	Left Carry Handle Housing	(1)
	39	Locking Pin	(1)
	40	Trigger Pin	(1)
	41	Locking Rod Spring	(1)
	42	Trigger Spring	(1)
	43	Trigger	(1)
	44	Right Carry Handle Housing	(1)
	45	Locking Rod	(1)
	50	45-76-0051 Small Tube	(1)
	51	28-06-0033 Leg Mounting Base	(1)
	107	12-20-0249 Service Nameplate (Not Shown)	(1)
	108	10-20-1018 Warning Label - Left (Not Shown)	(1)
	109	10-20-1019 Warning Label - Right (Not Shown)	(1)
	111	42-55-2137 Soft Carrying Bag (Not shown)	(1)
	112	31-21-0013 AC Door Kit	(1)
	113	14-46-0179 Leg Support Kit	(3)
	114	14-34-0127 Carry Handle Kit	(1)
	120	14-20-0142 Base w/ Electronics and Outlet	(1)



120	1	2	3	4	8	9
	10	23	26	27	29	33

FIG.	PART NO.	DESCRIPTION OF PART	NO. REQ.
1	05-87-0016	Self Tapping Screw	(7)
2	22-68-0043	Bottom Cover	(1)
3	22-68-0046	Bottom Cover Gasket	(1)
4	05-87-0017	Self Tapping Screw	(6)
8	44-50-0016	AC Door	(1)
9	40-50-0242	AC Door Spring	(1)
10	44-50-0018	AC Door Pin	(1)
23	28-50-0036	Main Housing	(1)
26	45-76-0053	Carry Pole Mounting Base	(1)
27	05-87-0012	M3 x 6mm Pan Hd. T- Screw	(1)
29	05-87-0011	Self Tapping Screw	(2)
33	23-16-0029	Tube Mounting Base	(1)
120	14-20-0142	Base w/ Electronics and Outlet	(1)
121	22-80-0012	AC Board	(1)
122	22-80-0022	Charger Board	(1)
123	22-80-0032	Control Board	(1)

