



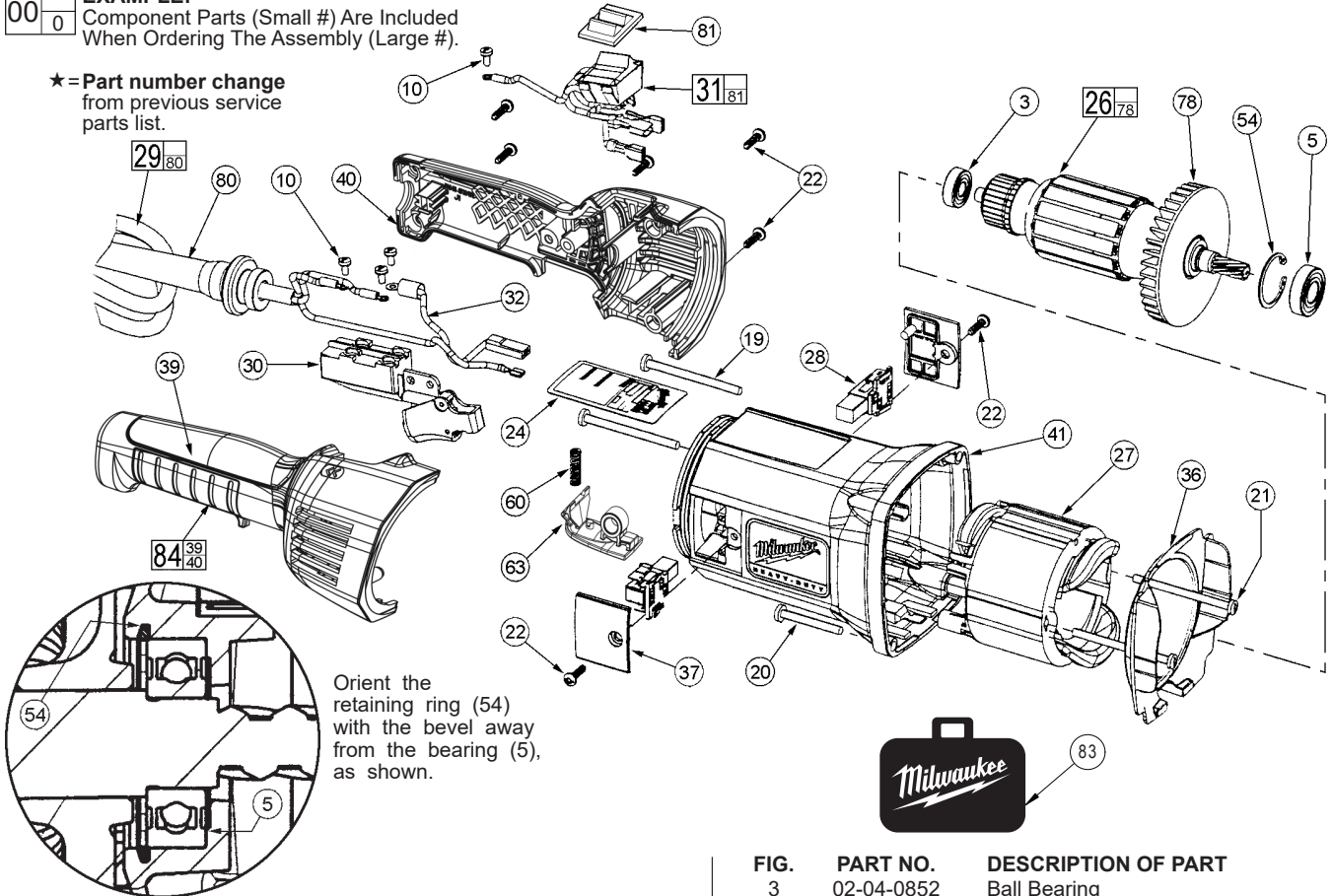
SERVICE PARTS LIST

BULLETIN NO.
54-10-0254

SPECIFY CATALOG NO. AND SERIAL NO. WHEN ORDERING PARTS		REVISED BULLETIN 54-10-0253	DATE April 2021
SUPER HAWG®			
CATALOG NO. 1680-20	STARTING SERIAL NUMBER 407E	WIRING INSTRUCTION 58-01-0696	

EXAMPLE:
Component Parts (Small #) Are Included
When Ordering The Assembly (Large #).

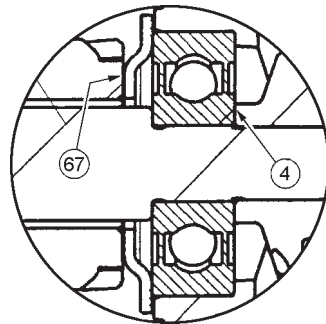
★=Part number change
from previous service
parts list.



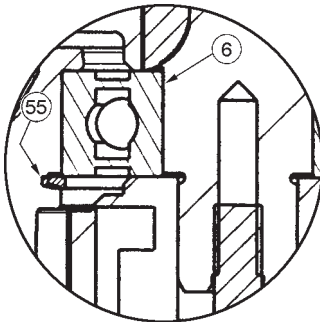
Orient the retaining ring (54) with the bevel away from the bearing (5), as shown.

SERVICE DETAILS FOR PARTS ON THE BACK PAGE

Orient the bearing retainer (67) with the offset away from the bearing (4), as shown.



Orient the retaining ring (55) with the bevel facing away from the bearing (6), as shown.



Orient the pin (15) with the rounded end facing up, as shown.

Orient the retaining ring (53) with the barbs facing up, as shown.

Insert the straight end of the spring (61) into the hole in the bottom of the shift disk (64).

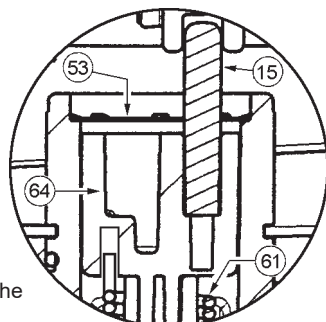


FIG.	PART NO.	DESCRIPTION OF PART	QTY.
3	02-04-0852	Ball Bearing	(1)
5	02-04-1204	Ball Bearing	(1)
10	05-78-0305	M3.5 x 0.6 x 7mm Pan Hd. Slotted T-15	(4)
19	06-82-5554	10-24 x 2.375 Taptite T-25	(2)
20	06-82-5584	10-24 x 1.50 Taptite T-25	(2)
21	06-82-7375	8-16 x 2.50 Slotted Plastite T-20	(2)
22	06-82-9220	K40 x 5/8 Slotted PT T-20	(7)
24	12-98-7305	Service Nameplate	(1)
26	16-50-1095	Armature Assembly	(1)
27	18-50-1095	Field	(1)
28	22-20-0150	Brush Holder Assembly	(2)
29	22-64-1260	Cord Assembly	(1)
30	23-66-2270	On/Off Switch	(1)
31	23-66-2365	Reversing Switch Assembly	(1)
32	23-94-2270	Lead Wire Assembly	(1)
36	31-05-0240	Baffle	(1)
37	31-15-0595	Brush Cover	(2)
39	-----	Handle Half - Right	(1)
40	-----	Handle Half - Left	(1)
41	31-50-1780	Motor Housing with Trace	(1)
54	34-80-2021	Beveled Internal Retaining Ring	(1)
60	40-50-0265	Rotation Button Spring	(1)
63	42-42-0491	Rotation Release Button	(1)
78	22-84-0085	Fan	(1)
80	44-76-0355	Cord Protector	(1)
81	42-38-0280	Rocker Boot	(1)
83	48-55-1680	Accessory Carrying Case	(1)
84	31-44-2167	Handle Kit	(1)

SEE REVERSE SIDE

★=Part number change from previous service parts list.

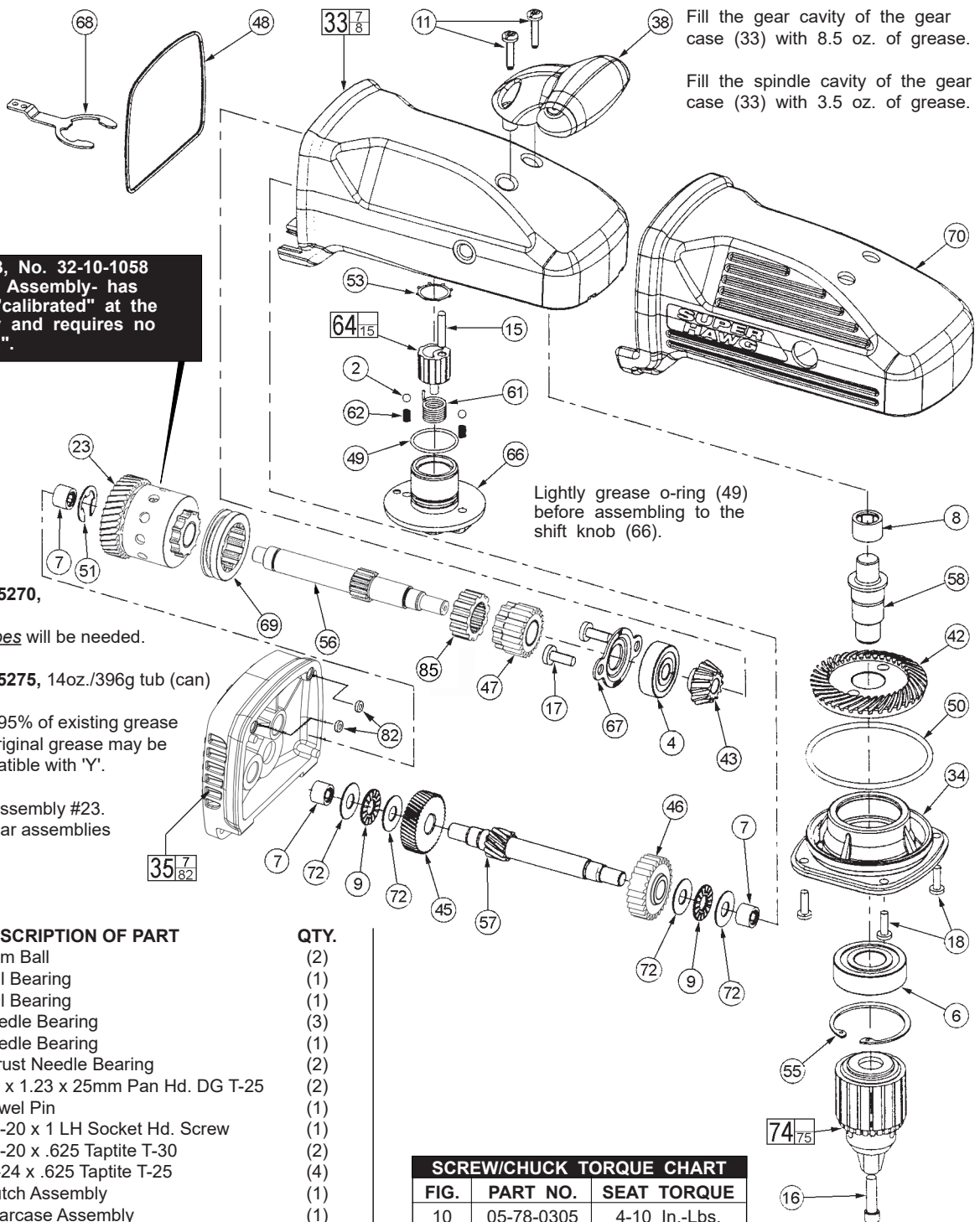


Fig. 23, No. 32-10-1058 Clutch Assembly- has been "calibrated" at the factory and requires no "run-in".

Fill the gear cavity of the gear case (33) with 8.5 oz. of grease.

Fill the spindle cavity of the gear case (33) with 3.5 oz. of grease.

Lightly grease o-ring (49) before assembling to the shift knob (66).

LUBRICATION NOTES:

Type 'Y' Grease No. 49-08-5270, 6oz./170g tube
The entire amount of *two tubes* will be needed.

or
Type 'Y' Grease No. 49-08-5275, 14oz./396g tub (can)

When servicing, remove 90-95% of existing grease prior to installing Type 'Y'. Original grease may be similar in color but not compatible with 'Y'.

DO NOT wash Clutch Hub Assembly #23. Prior to reinstalling, clean gear assemblies with a clean dry cloth.

FIG.	PART NO.	DESCRIPTION OF PART	QTY.
2	02-02-1300	5mm Ball	(2)
★ 4	02-04-1291	Ball Bearing	(1)
6	02-04-2031	Ball Bearing	(1)
7	02-50-7000	Needle Bearing	(3)
8	02-50-7005	Needle Bearing	(1)
9	02-80-0180	Thrust Needle Bearing	(2)
11	05-88-9915	M5 x 1.23 x 25mm Pan Hd. DG T-25	(2)
★ 15	06-65-2011	Dowel Pin	(1)
16	06-75-3150	1/4-20 x 1 LH Socket Hd. Screw	(1)
17	06-82-5360	1/4-20 x .625 Taptite T-30	(2)
18	06-82-5411	10-24 x .625 Taptite T-25	(4)
★ 23	32-10-1059	Clutch Assembly	(1)
33	28-14-2546	Gearcase Assembly	(1)
★ 34	28-20-2605	Gearcase Cover	(1)
35	28-28-2185	Diaphragm Assembly	(1)
38	31-44-2060	Gearcase Front Handle	(1)
★ 42	32-05-1518	Spiral Bevel Gear	(1)
★ 43	32-05-1522	Spiral Bevel Pinion	(1)
★ 45	32-42-0200	1st Intermediate Gear	(1)
★ 46	32-42-1401	1st Intermediate Gear - High	(1)
★ 47	32-44-1341	2nd Intermediate Gear - High	(1)
48	34-40-0230	Gearcase Seal	(1)
49	34-40-4545	O-Ring	(1)
50	34-40-4550	O-Ring	(1)
51	34-60-1450	E-Ring	(1)
53	34-80-1800	Internal Retaining Ring	(1)
55	34-80-2980	Internal Beveled Retaining Ring	(1)
★ 56	36-18-0586	Intermediate Shaft	(1)
★ 57	36-66-1226	1st Intermediate Pinion - Low	(1)
★ 58	38-50-4461	Spindle	(1)
★ 61	40-50-8586	Torsion Spring	(1)
62	40-50-8690	Detent Spring	(2)
★ 64	43-06-0697	Shifting Disk Assembly	(1)
66	43-98-0665	Shifting Knob	(1)

SCREW/CHUCK TORQUE CHART		
FIG.	PART NO.	SEAT TORQUE
10	05-78-0305	4-10 In.-Lbs.
74	Chuck	80-90 Ft.-Lbs.

Note: Chuck Assembly No. 48-66-1381 comes with a washer that is not to be used when servicing this tool.

FIG.	PART NO.	DESCRIPTION OF PART	QTY.
67	44-86-0040	Bearing Retainer	(1)
68	44-86-0045	Retaining Fork	(1)
★ 69	44-90-0576	Shifting Ring	(1)
70	45-12-0625	Gearcase Insulator	(1)
72	45-88-0395	Thrust Washer	(4)
74	48-66-1381	Chuck	(1)
75	48-66-3280	Chuck Key (Not Shown)	(1)
76	48-66-4040	Chuck Key Holder (Not Shown)	(1)
77	49-15-0151	Side Handle Assembly (Not Shown)	(1)
82	34-40-1680	Screw Gasket	(2)
★ 85	36-18-0587	Drive Hub	(1)