



SERVICE PARTS LIST

BULLETIN NO.
54-05-0135

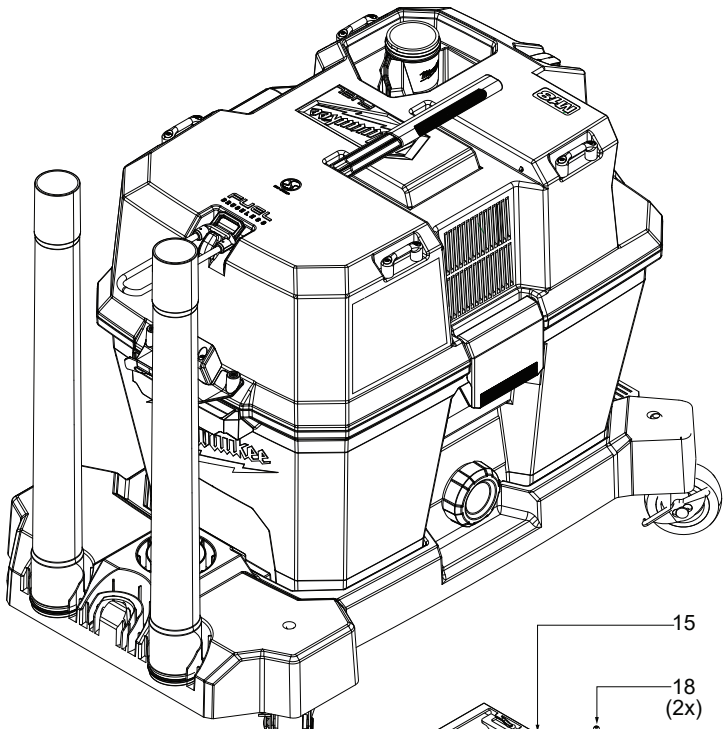
| | | | |
|--|---------|---------------------|---|
| SPECIFY CATALOG NO. AND SERIAL NO. WHEN ORDERING PARTS | | REVISED BULLETIN | DATE |
| M18 FUEL™ 6 GALLON WET/DRY VACUUM | | | Dec. 2022 |
| CATALOG NO. | 0910-20 | STARTING SERIAL NO. | L63A |
| | | | WIRING INSTRUCTION See page 3 |

EXAMPLE:

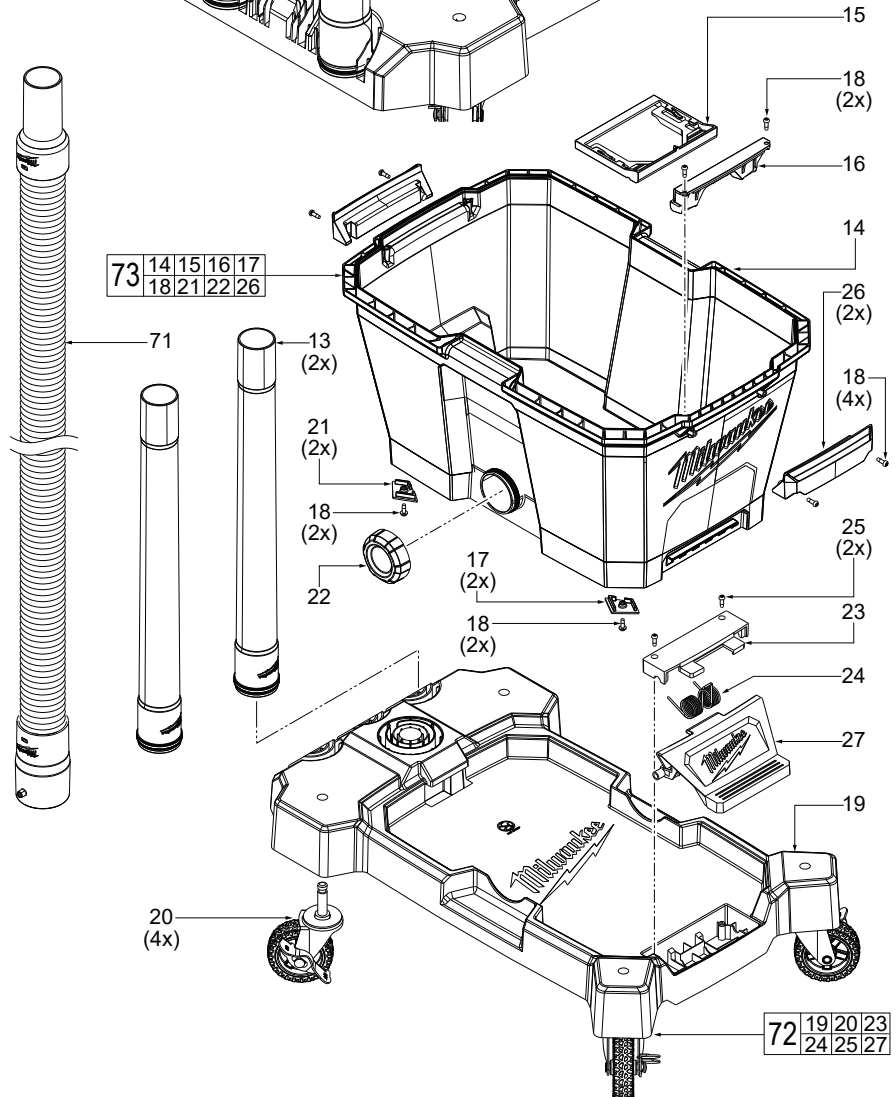
| | |
|----|---|
| 00 | 0 |
|----|---|

 Component Parts (Small #) Are Included
 When Ordering The Assembly (Large #).

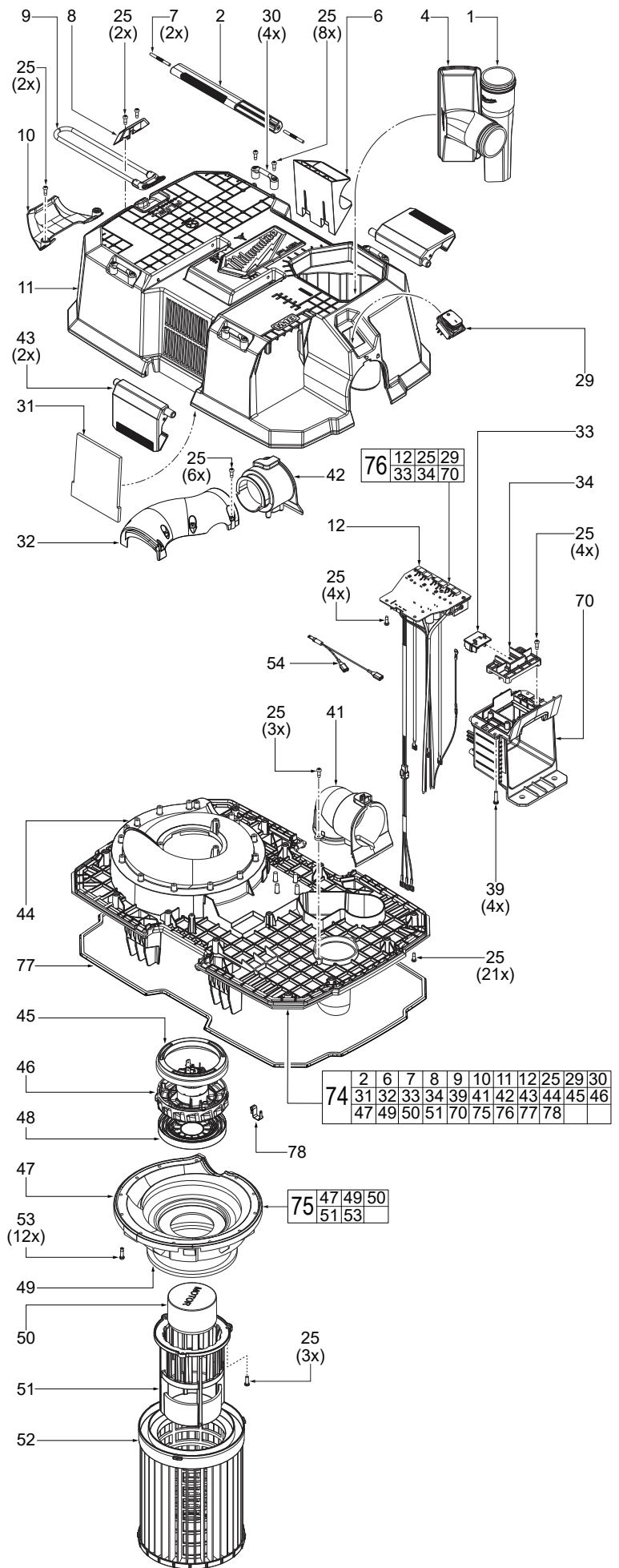
| FIG. | PART NO. | DESCRIPTION OF PART | NO. REQ. |
|------|------------|--------------------------------|----------|
| 13 | 49-90-1987 | Wand (Includes 1) | (2) |
| 14 | ----- | 6 Gallon Tank (See item 73) | (1) |
| 15 | 42-16-2700 | Bag Holder Attachment | (1) |
| 16 | 42-16-2705 | Bag Holder Screw-In Attachment | (1) |
| 17 | 44-85-0252 | Tank Foot #1 | (2) |
| 18 | 05-74-1044 | M4 x 12mm Flange T-15 Screw | (10) |
| 19 | ----- | Cart Base | (1) |
| 20 | 14-04-0130 | Caster | (4) |
| 21 | 44-85-0253 | Tank Foot #2 | (2) |
| 22 | 31-01-3035 | Drain Cap | (1) |
| 23 | ----- | Pedal Cover | (1) |
| 24 | 40-50-3925 | Spring | (1) |
| 25 | 05-74-1012 | 8-18 x 16mm Hi-Low T-15 Screw | (2) |
| 26 | 45-06-0589 | Tank Handle | (2) |
| 27 | 45-24-3100 | Pedal | (1) |
| 71 | 49-90-1996 | Hose Assembly | (1) |
| 72 | 0923-20 | Cart Base Assembly | (1) |
| 73 | 0922-20 | Tank Assembly | (1) |



See page two for Head Assembly service parts



| FIG. | PART NO. | DESCRIPTION OF PART | NO. REQ. |
|------|------------|---|----------|
| 1 | 49-90-1988 | Crevice Tool | (1) |
| 2 | 31-44-7015 | Carrying Handle | (1) |
| 4 | 49-90-2011 | Floor Utility Nozzle | (1) |
| 6 | 42-28-0506 | Hose Clip | (1) |
| 7 | 31-44-7017 | Knurled Pin | (2) |
| 8 | 42-28-0560 | Bungee Holder | (1) |
| 9 | 14-37-0185 | Bungee Hose Strap | (1) |
| 10 | 31-70-0170 | Hose Rest Bracket | (1) |
| 11 | ----- | Head | (1) |
| 12 | ----- | PCBA | (1) |
| 25 | 05-74-1011 | 8-18 x 12mm Hi-Lo T-15 Screw | (53) |
| 29 | ----- | On-Off Switch | (1) |
| 30 | 45-58-0285 | Mounting Cleat (Set of 1) | (4) |
| 31 | 58-95-0075 | Foam, Head | (1) |
| 32 | 31-01-3030 | Exhaust Cover | (1) |
| 33 | ----- | Battery Terminal Block | (2) |
| 34 | 31-01-3020 | Battery Terminal Cap | (1) |
| 39 | 05-74-1042 | #7-18 x 19mm Plastite T-20 Screw | (4) |
| 41 | 43-33-0480 | Inlet Elbow | (1) |
| 42 | 31-05-0735 | Exhaust Port | (1) |
| 43 | 45-06-0585 | Tank Buckle | (2) |
| 44 | 31-01-1008 | Mid-Frame | (1) |
| 45 | 44-66-5364 | Motor Isolator-Upper | (1) |
| 46 | 31-50-9000 | Motor Assembly | (1) |
| 47 | ----- | Lower Volute | (1) |
| 48 | 31-55-0245 | Motor Isolator-Lower | (1) |
| 49 | ----- | Lower Volute/Filter Seal | (1) |
| 50 | ----- | Ball Float | (1) |
| 51 | ----- | Ball Float Cage | (1) |
| 52 | 49-90-1978 | Large Wet/Dry Vacuum High Efficiency Filter | (1) |
| 53 | 05-74-1012 | 8-18 x 16mm Hi-Lo T-20 Screw | (12) |
| 54 | 22-56-0061 | Y-Strap | (1) |
| 70 | 31-44-0461 | Battery Housing with Left Rail | (1) |
| 74 | 0911-20 | Head Assembly | (1) |
| 75 | 31-15-1987 | Lower Volute/Float Cage Assembly | (1) |
| 76 | 23-66-6520 | Electronics Assembly | (1) |
| 77 | 45-06-0587 | Mid-Frame Gasket | (1) |
| 78 | 45-56-0033 | Motor Ground Strap | (1) |
| | 49-90-1979 | Fleece Dust Bags (Pkg. of 5) (Not Included) | (1) |
| | 12-20-0542 | Service Nameplate (Not Shown) | (1) |



0910-20

M18™ FUEL™ 6 Gallon Wet/Dry Vacuum

Consists of the following:

- 1.875" Hose and Attachments
- 0911-20 Motor Head Assembly (1 Battery)
- 0922-20 6 Gallon Tank Assembly
- 0923-20 Base Cart Assembly

0920-20

M18™ FUEL™ 9 Gallon Wet/Dry Vacuum

Consists of the following:

- 1.875" Hose and Attachments
- 0921-20 Motor Head Assembly (2 Batteries)
- 0912-20 9 Gallon Tank Assembly
- 0923-20 Base Cart Assembly

0930-20

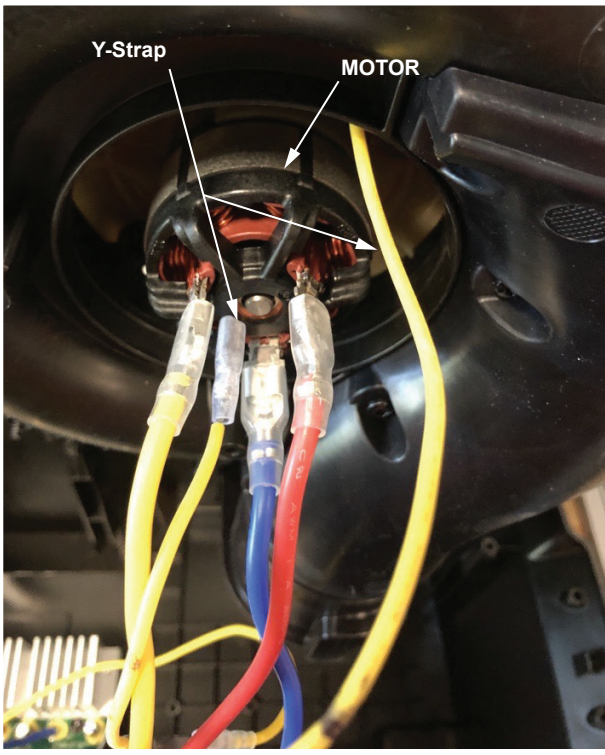
M18™ FUEL™ 12 Gallon Wet/Dry Vacuum

Consists of the following:

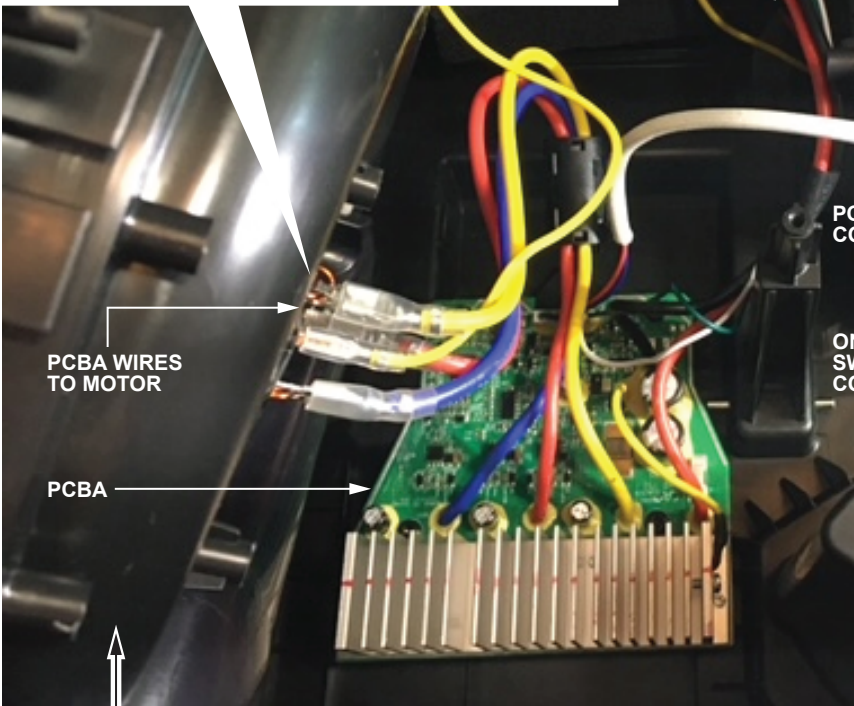
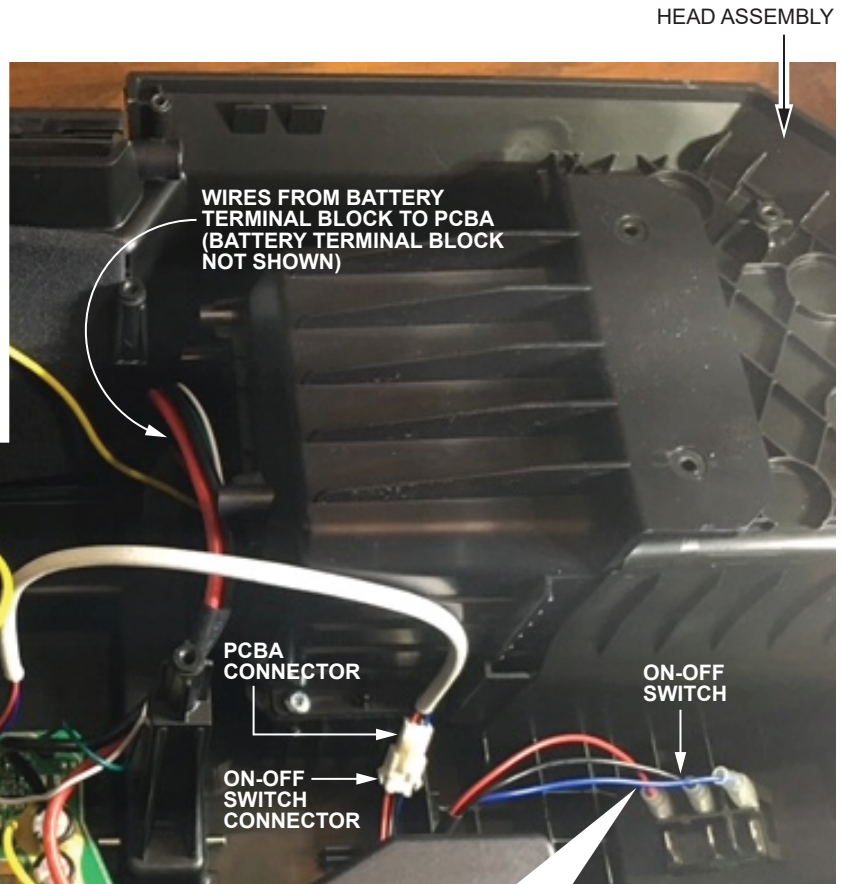
- 2.5" Hose and Attachments
- 0921-20 Motor Head Assembly (2 Batteries)
- 0932-20 12 Gallon Tank Assembly
- 0933-20 Premium Cart Assembly

NOTE:

Motor Head Assemblies, Tank Assemblies and Cart Assemblies listed above are all interchangeable. The 120V AC Motor Head Assembly 0931-20 is also interchangeable with the tank and cart assemblies.



- Connect Yellow Ground PCBA Wire to Y-strap. Connect Y-strap to Motor Ground Strap and motor ground terminal/tab.
- Connect Red PCBA wire to terminal labeled RED on the upper right of motor.
- Connect Yellow PCBA wire to terminal labeled YLW on the upper left of motor.
- Connect Blue PCBA wire to terminal labeled BLU on the bottom of motor.
- Pull on all wires terminated at the motor to ensure proper connection.
- Join PCBA wires and On-Off Switch wires by inserting connector ends together.



MID-FRAME

As an aid to reassembly, take notice of wire routings and position in wire guides and traps while dismantling tool.

Be sure that all components of electronics kit are seated firmly and squarely in housing recesses.

Avoid pinched wires, be sure that all wires and sleeves are pressed completely down in wire traps.

Prior to securing mid-frame onto the head, be sure that there are no interferences.

Before installing the battery, check for proper functionality of switch.

Install battery and depress switch triggers to assure tool is operating properly.