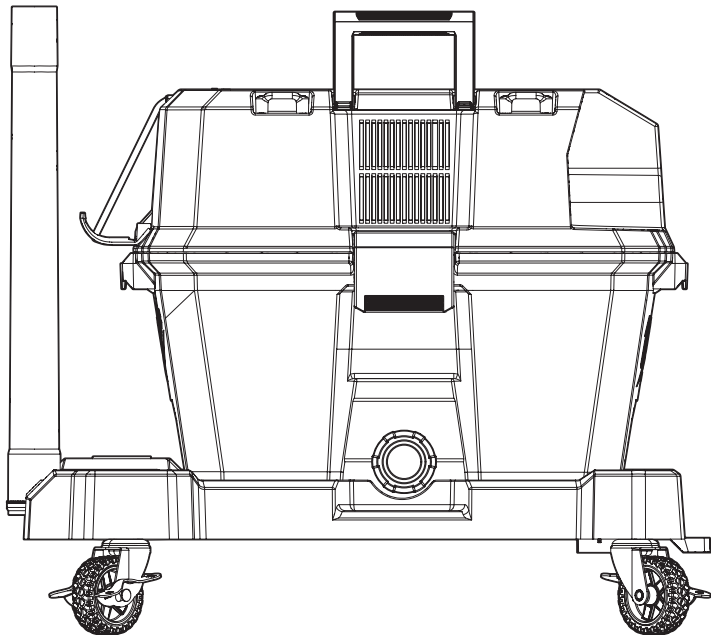




OPERATOR'S MANUAL
MANUEL de L'UTILISATEUR
MANUAL del OPERADOR



Cat. No. / No de cat.
0910-20, 0911-20

M18 FUEL™ 6 GALLON WET/DRY VACUUM

M18 FUEL™ WET/DRY VACUUM MOTOR HEAD

ASPIRATEUR DE DÉTRITUS SECS ET HUMIDES DE 23 L


(6 GAL) M18 FUEL™


**TÊTE DU MOTEUR DE L'ASPIRATEUR DE DÉTRITUS SECS /
ET HUMIDES M18 FUEL™**


ASPIRADORA DE RESIDUOS SECOS Y HÚMEDOS DE 23 L

(6 GAL) M18 FUEL™

**CABEZAL DE MOTOR DE LA ASPIRADORA DE RESIDUOS
SECOS Y HÚMEDOS M18 FUEL™**

 **WARNING** To reduce the risk of injury, user must read and understand operator's manual.

 **AVERTISSEMENT** Afin de réduire le risque de blessures, l'utilisateur doit lire et bien comprendre le manuel.

 **ADVERTENCIA** Para reducir el riesgo de lesiones, el usuario debe leer y entender el manual.

IMPORTANT SAFETY INSTRUCTIONS

⚠️WARNING WHEN USING AN ELECTRICAL VACUUM, BASIC PRECAUTIONS SHOULD ALWAYS BE FOLLOWED. BEFORE USING THE VACUUM, READ THIS OPERATOR'S MANUAL, BATTERY PACK AND CHARGER OPERATOR'S MANUALS, AND ALL LABELS ON THE VACUUM, BATTERY PACK, AND CHARGER. FAILURE TO FOLLOW THE WARNINGS AND INSTRUCTIONS MAY RESULT IN ELECTRIC SHOCK, FIRE AND/OR SERIOUS INJURY.

WORK AREA SAFETY

- **Keep work area clean and well lit.** Cluttered or dark areas invite accidents.
- **Vacuums have motors and other parts that can produce sparks during normal use.** Do not use within 30 feet of areas where explosive materials may be present (such as gasoline pumps and places where liquids like paint thinners, cleaners, solvents, etc. are stored).
- **Do not use in the presence of explosive dust, liquids or vapors.**
- **Do not use where oxygen or anesthetics are used.**
- **Do not allow to be used as a toy.** Close attention is necessary when used by or near children.
- **Use extra care when using on stairs.**

ELECTRICAL SAFETY

- **Do not handle battery pack or vacuum with wet hands.**

PERSONAL SAFETY

- **STAY ALERT.** Watch what you are doing and use common sense. Do not use vacuum when you are tired, distracted or under the influence of drugs, alcohol or medication causing diminished control.
- **The operation of a vacuum can result in foreign objects being blown into eyes,** which can result in eye damage. Always wear safety goggles or glasses with side shields when operating vacuum.
- **Wear a dust mask or use an OSHA compliant vacuum solution** when working in dusty situations. Dust particles can harm your lungs.
- **Avoid accidental starting. Ensure the switch is in the off-position before inserting battery pack.** Inserting battery pack in vacuum that has the switch on invites accidents.
- **Do not overreach. Keep proper footing and balance at all times.** This enables better control of the vacuum in unexpected situations.
- **Keep hair, loose clothing, fingers, and all parts of body away from openings and moving parts.**
- **Use only as described in this manual.** Use only manufacturer's recommended attachments.
- **Prevent unintentional starting. Ensure the switch is in the off-position before connecting to power source and/or battery pack, picking up or carrying the tool.** Carrying power tools with your finger on the switch or energizing power tools that have the switch on invites accidents.

VACUUM USE AND CARE

- **Do not use without dust canister and/or filter in place.**
- **Do not use to pick up flammable or combustible liquids** such as gasoline or use in areas where they may be present.
- **Do not pick up anything that is burning or smoking** such as cigarettes, matches, or hot ashes.

- **Do not pick up soot, cement, plaster or drywall dust without filter in place.** These are very fine particles that may affect the performance of the motor or be exhausted back into the air.
- **This product is suitable for collection of silica dust when used in accordance with these instructions.** To reduce the risk of health hazards from other vapors or dust, do not vacuum carcinogenic, toxic or hazardous materials such as asbestos, arsenic, barium, beryllium, lead, pesticides or other health endangered materials.
- **Use special care when emptying heavily loaded tanks.**
- **To avoid spontaneous combustion, empty dust box after each use.**
- **Do not leave vacuum unattended when battery pack is installed.** Remove battery pack when not in use and before servicing.
- **Disconnect the battery pack from the appliance before making any adjustments, changing accessories, or storing appliance.** Such preventive safety measures reduce the risk of starting the appliance accidentally.
- **Do not put any object into openings.** Do not use with any opening blocked; keep free of dust, lint, hair, and anything else that may reduce air flow.
- **Maintain vacuum. Check for misalignment or binding of moving parts, breakage of parts and any other condition that may affect the vacuum's operation.** If damaged, have the vacuum repaired before use. Many accidents are caused by poorly maintained tools.

BATTERY TOOL USE AND CARE

- **Recharge only with the charger specified by the manufacturer.** A charger that is suitable for one type of battery pack may create a risk of fire when used with another battery pack.
- **Use power tools only with specifically designated battery packs.** Use of any other battery packs may create a risk of injury and fire.
- **When battery pack is not in use, keep it away from other metal objects, like paper clips, coins, keys, nails, screws or other small metal objects, that can make a connection from one terminal to another.** Shorting the battery terminals together may cause burns or a fire.
- **Under abusive conditions, liquid may be ejected from the battery; avoid contact.** If contact accidentally occurs, flush with water. If liquid contacts eyes, additionally seek medical help. Liquid ejected from the battery may cause irritation or burns.
- **Do not use a battery pack or tool that is damaged or modified.** Damaged or modified batteries may exhibit unpredictable behavior resulting in fire, explosion or risk of injury.

READ AND SAVE ALL INSTRUCTIONS FOR FUTURE USE

FOR HOUSEHOLD OR COMMERCIAL USE.

SYMBOLOLOGY



Volts



Direct Current



Read Operator's Manual



Wear eye protection



Do Not Step



Max Power Mode



Off



Max Run-Time Mode



UL Listing for Canada and U.S.

SERVICE

- **Do not expose a battery pack or tool to fire or excessive temperature.** Exposure to fire or temperature above 265°F (130°C) may cause explosion.
- **Follow all charging instructions and do not charge the battery pack or tool outside the temperature range specified in the instructions.** Charging improperly or at temperatures outside the specified range may damage the battery and increase the risk of fire.
- **Have your power tool serviced by a qualified repair person using only identical replacement parts.** This will ensure that the safety of the power tool is maintained.
- **Do not modify or attempt to repair the appliance or the battery pack (as applicable) except as indicated in the instructions for use and care.**

SPECIFIC SAFETY RULES FOR WET/DRY VACUUM

- **Never use vacuum without tank and filter properly installed.**
- **Wear ear protectors.** Exposure to noise can cause hearing loss.
- **This product is suitable for collection of silica dust when used in accordance with these instructions.** To reduce the risk of health hazards from other vapors or dust, do not vacuum carcinogenic, toxic or hazardous materials such as asbestos, arsenic, barium, beryllium, lead, pesticides or other health endangered materials.

⚠️ WARNING To reduce the risk of injury, when working in dusty situations, wear appropriate respiratory protection or use an OSHA compliant dust extraction solution.

- **Always use common sense and be cautious when using tools.** It is not possible to anticipate every situation that could result in a dangerous outcome. Do not use this tool if you do not understand these operating instructions or you feel the work is beyond your capability; contact Milwaukee Tool or a trained professional for additional information or training.
- **Maintain labels and nameplates.** These carry important information. If unreadable or missing, contact a MILWAUKEE service facility for a free replacement.

⚠️ WARNING Some dust created by power sanding, sawing, grinding, drilling, and other construction activities contains chemicals known to cause cancer, birth defects or other reproductive harm. Some examples of these chemicals are:

- lead from lead-based paint
- crystalline silica from bricks and cement and other masonry products, and
- arsenic and chromium from chemically-treated lumber.

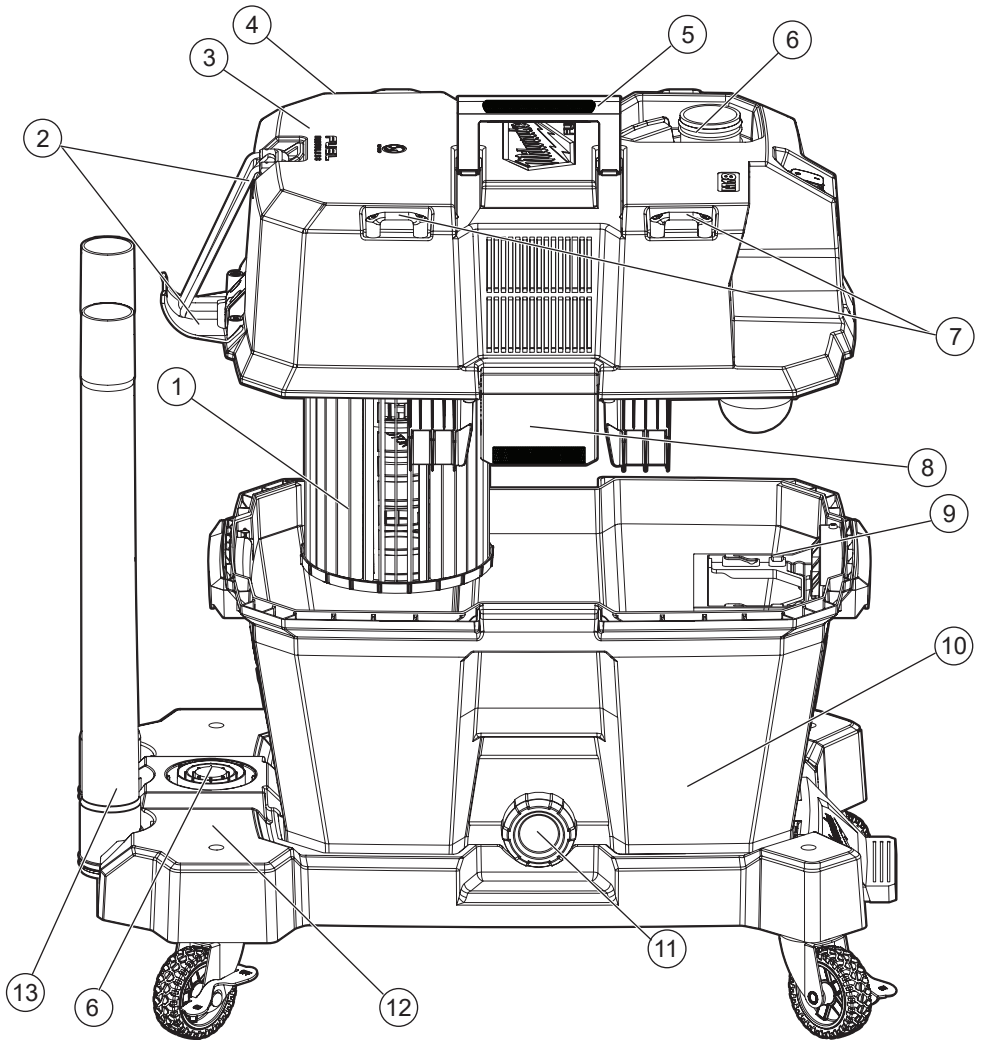
Your risk from these exposures varies, depending on how often you do this type of work. To reduce your exposure to these chemicals: work in a well ventilated area, and work with approved safety equipment, such as those dust masks that are specially designed to filter out microscopic particles.

SPECIFICATIONS

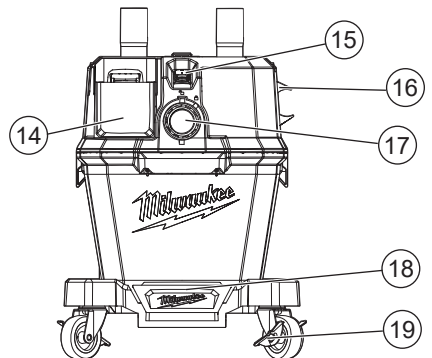
Cat. No.	0910-20, 0911-20
Volts.....	18 DC
Battery Type	M18™
Charger Type.....	M18™
Air Flow.....	87 CFM
Suction.....	60 in H2O
Capacity*	6 gal (23 L)
Recommended Ambient	

Operating Temperature..... 0°F to 104°F
 * Gallons indicated reflect drum volume, not necessarily collection capacity, actual capacity dependent upon type of debris collected, condition of filter and other factors.
 6 Gallon Wet/Dry Vacuum Tank included with 0910-20 only.

FUNCTIONAL DESCRIPTION



1. High efficiency filter (included with 0910-20 only)
2. Hose storage
3. Motor housing
4. Blower port (not shown)
5. Handle
6. Accessory storage areas
7. Storage tie downs
8. Tank latches (front and back)
9. Dust bag holder
10. 6 gallon wet/dry vacuum tank
11. Tank drain cap
12. Wet/dry vacuum cart (0923-20)
13. Extension wand



14. Battery bay
15. Switch
16. Hose storage clip
17. Vacuum inlet
18. Pedal
19. Wheel lock

ASSEMBLY

⚠ WARNING To reduce the risk of injury, always remove the battery pack before removing the tank.

⚠ CAUTION Keep filter clean. Efficiency of the vacuum is largely dependent on the filter. A dirty filter will reduce the air flow and overall efficiency of the system. Remove from tank and tap clean.

⚠ WARNING Recharge only with the charger specified for the battery. For specific charging instructions, read the operator's manual supplied with your charger and battery.

Removing/Inserting the Battery

To **remove** the battery, push in the release buttons and pull the battery pack away from the tool.

⚠ WARNING Always remove the battery pack any time the tool is not in use.

To **insert** the battery, slide the pack into the body of the tool. Make sure it latches securely into place.

Removing/Installing the Filters

Use the high efficiency filter for dry pickup **only**. Use the foam filter for wet pick-up operation **only**.

1. Remove the battery pack.
2. Release the tank latches and lift off the motor housing. Place it upside down on a flat surface.
3. To **remove** the filter, turn it 1/2" counter clockwise and pull it off of the motor housing/float cage.
4. Empty all debris from the tank.

NOTICE When applicable, adhere to jobsite guidelines pertaining to the disposal of silica dust.

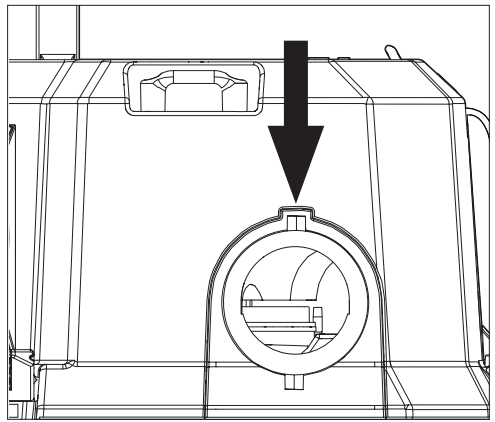
5. To **install** the filter, slide it over the float cage. Line up the filter tabs with the motor housing notches and turn it 1/2" clockwise to lock in place.
6. Replace the motor housing and secure both latches.

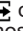
⚠ WARNING To reduce the risk of injury: wear safety glasses and a dust mask when using the vacuum cleaner as a blower. Clean tank completely before use.

Pick-Up/Blower

The vacuum can be used for debris pick-up or as a blower, depending on the port used.

1. For debris **pick-up**, insert the large end of the hose into the intake port of the motor housing, lining up the tabs on the hose with the notches in the port. Twist to secure and form a tight fit.

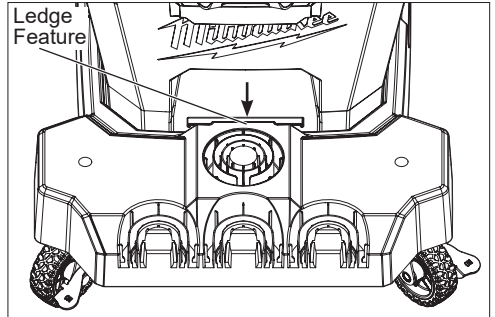


2. To use as a **blower**, insert the large end of hose into the blower port  of the motor housing, lining up the tabs on the hose with the notches in the port. Twist to secure and form a tight fit.

⚠ WARNING Only use accessories specifically recommended for this tool. Others may be hazardous.

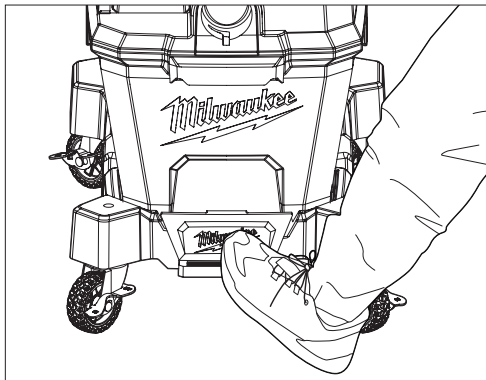
Attaching/Removing the Wet/Dry Vacuum Cart

1. To **attach**, place rear of vacuum on the cart with the front angled upwards. The vacuum inlet should face the front of the cart where the pedal is located.
2. Slide the rear of the vacuum under the ledge feature.





3. Lower the front of the vacuum so it lines up with the cart and front ledge. Once the cart clicks, the vacuum is secured on the cart.

4. To **remove**, press one foot on the pedal. Lift the vacuum with handle away from the cart.



Installing/Removing the Hose

To **install** the hose, line up notches on the hose with the vacuum inlet. Push in and twist toward lock  to secure in place.

To **remove** the hose, twist the hose towards the unlock  and pull away from vacuum inlet.

Installing/Removing the Accessories

To **install** the nozzles, or extensions, push the accessory onto the vacuum hose until it feels secure. To **remove** the accessory, pull the accessory off the vacuum hose inlet. Store the accessories in the motor head or in the designated cart storage areas.

Installing/Removing the Dust Extraction Adapter

(Cat. No. 49-90-1980, not included)

The dust extractor hose adapter is used to connect the hose to a power tool in place of other dust collection, such as a dust bag.

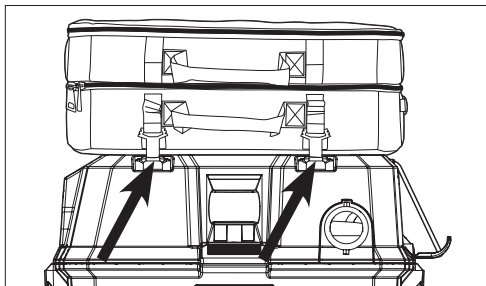
To **install** the adapter, remove any nozzles or accessories from the end of the hose. Twist the adapter onto the hose until tight for a secure fit.

To **remove**, reverse the procedure.

Installing/Removing the Accessory Storage Bag

(Cat. No. 49-90-2019, not included)

1. To **install**, ensure the top of the motor housing is clear.
2. Place the accessory storage bag on top of the motor housing with the logo facing up.
3. Locate the hooks on the accessory storage bag and attach them to the storage tie downs on the motor housing. **NOTE:** There are 2 storage tie downs on each side of motor housing with a total of 4 storage tie downs.



4. To **remove**, unhook the accessory storage bag from the motor housing and remove the accessory storage bag.

OPERATION

⚠ WARNING To reduce the risk of injury, always wear proper eye protection marked to comply with ANSI Z87.1.

When working in dusty situations, wear appropriate respiratory protection or use an OSHA compliant dust extraction solution.

To reduce the risk of fire and injury, do not use to pick up flammable or combustible materials.

Empty tank before use.

Before use, ensure the filter and float cage are properly installed. Remove dry filter before all wet pick-up operations.

Starting and Stopping Vacuum

To turn the vacuum On **max run-time mode**, push the switch to the Speed One (I) position.

To turn the vacuum On **max power mode**, push the switch to the Speed Two (II) position.

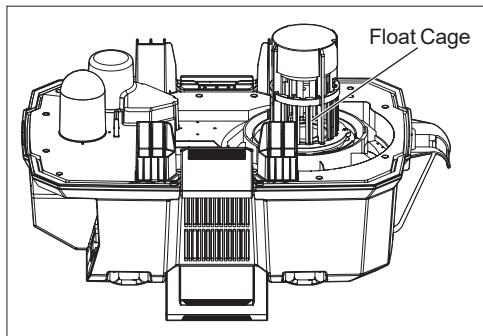
To turn **Off** the vacuum, push the switch to the OFF (O) position.

⚠ CAUTION If the float is clean, moves freely, and the suction does not shut off when the tank is filled, contact a MILWAUKEE service facility for repairs. A malfunctioning tool can cause personal injury or property damage.

Wet Pick-Up Operation

For wet pick-up operation, it is recommended to use the foam filter (Single pack, Cat. No. 49-90-1990).

1. Remove the battery pack.
2. Remove ALL dirt and debris found in the tank.
3. Remove the high efficiency filter and install the foam filter (see "Removing/Installing the Filters"). Ensure that the float cage remains in place.



4. A float cage shuts off suction when the tank is full. Be sure that the float is clean and moves freely in the float cage to ensure that the float valve works.
5. Insert the battery pack.
6. Turn on the vacuum and begin pick-up.
7. Turn off the vacuum immediately upon completing a wet pick-up job or when tank is full and ready to be emptied. If suction shuts off, turn off the vacuum immediately and empty the tank.
8. Remove the battery pack.

- To empty the tank, raise the hose to drain any excess liquid into the tank. Do not use vacuum inlet to drain contents.
- Remove motor housing and pour liquid waste into a suitable drain.
- Clean the interior of the tank and pick-up accessories periodically, more often when used to pick up wet, sticky materials. Use warm, soapy water. Do not store vacuum with liquid in tank.

Automatic Suction Shut-Off

When picking up liquids, an internal float rises until it seats itself against a seal at the intake of the motor, shutting off suction. When this happens, the motor will develop a higher than normal pitch noise and the suction is drastically reduced. If this occurs, turn off the vacuum immediately.

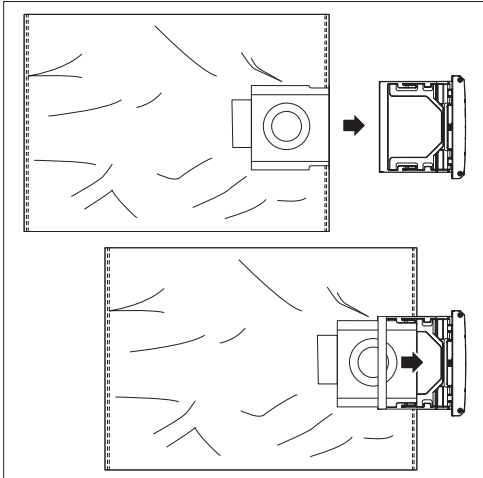
NOTICE Failure to turn off unit after float rises and shuts off suction will result in damage to the motor.

To continue use, empty the liquid waste from the tank. If the vacuum is accidentally tipped over, it could lose suction. Turn off the vacuum and return it to an upright position. The float will return to its normal position.

Installing/Removing Fleece Dust Bag

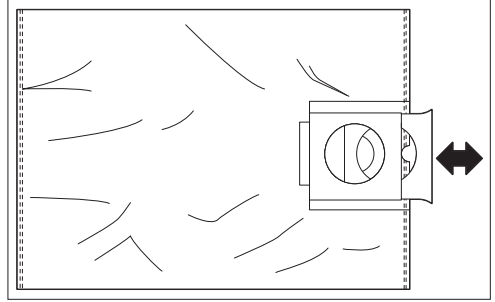
For increased filter life and ease of cleanup, use a fleece dust bag to collect fine dust particles (Single pack, Cat. No. 49-90-1979).

- To **install**, release the tank latches and remove the motor housing.
- Lift the dust bag holder up and out to remove from the tank.
- Slide the cardboard dust bag inlet in to the dust bag holder.



- Insert the dust bag holder back into the slot pushing downward to secure in place.
- Spread out the dust bag in the tank. Replace the motor housing and secure both latches.
- To **remove**, release the tank latches and remove motor housing.
- Lift the dust bag holder up and out to remove from the tank.
- Slide the dust bag holder off the dust bag.
- Pull the cardboard tab until the dust bag inlet is closed. Dust bag is now sealed and can be properly disposed.

Replace fleece dust bag once the bag is at full capacity, suction decreases or dust bag is damaged.



Storage

Before storing your vacuum, empty and clean the tank, filter, and accessories. Remove the battery pack.

MAINTENANCE

WARNING To reduce the risk of injury, always unplug the charger and remove the battery pack from the charger or tool before performing any maintenance. Never disassemble the tool, battery pack or charger. Contact a MILWAUKEE service facility for ALL repairs.

Never use vacuum without tank and filter properly installed.

Maintaining the Filters

Keep filter clean. Clean the filter by twisting the filter cover counter-clockwise to unlock from the motor housing/float cage. Pull the filter away from the vacuum. Empty debris by holding away from the user's face and tap clean. Water may be used to clean the filter.

If cleaning high efficiency filters with water, let filter dry 24 hours before using with vacuum. Replace filter if damaged or suction decreases (Dry filters single pack, Cat. No. 49-90-1977, 49-90-1978 or Wet filter single pack Cat. No. 49-90-1990).

Maintaining Tool

Keep your tool, battery pack and charger in good repair by adopting a regular maintenance program. Inspect your tool for issues such as undue noise, misalignment or binding of moving parts, breakage of parts, or any other condition that may affect the tool operation. Return the tool, battery pack, and charger to a MILWAUKEE service facility for repair. After six months to one year, depending on use, return the tool, battery pack and charger to a MILWAUKEE service facility for inspection.

If the tool does not start or operate at full power with a fully charged battery pack, clean the contacts on the battery pack. If the tool still does not work properly, return the tool, charger and battery pack, to a MILWAUKEE service facility for repairs.

⚠ WARNING To reduce the risk of personal injury and damage, never immerse your tool, battery pack or charger in liquid or allow a liquid to flow inside them.

Cleaning

Clean dust and debris from any vents. Keep tool clean, dry and free of oil or grease. Use only mild soap and a damp cloth to clean, since certain cleaning agents and solvents are harmful to plastics and other insulated parts. Some of these include gasoline, turpentine, lacquer thinner, paint thinner, chlorinated cleaning solvents, ammonia and household detergents containing ammonia. Never use flammable or combustible solvents around tools.

Repairs

For repairs, return the tool, battery pack and charger to the nearest authorized service center.

ACCESSORIES

⚠ WARNING Use only recommended accessories. Others may be hazardous.

For a complete listing of accessories, go online to www.milwaukeetool.com or contact a distributor.

Compatible with 0910-20 Wet/Dry Vacuum	
0912-20	9 Gallon Wet/Dry Vacuum Tank
0932-20	12 Gallon Wet/Dry Vacuum Tank
0931-20	6.5 Peak HP Wet/Dry Vacuum Motor Head
0921-20	M18 FUEL™ Wet/Dry Vacuum Dual Battery Motor Head
0933-20	Premium Wet/Dry Vacuum Cart
49-90-1980	Dust Extraction Adapter

SERVICE - UNITED STATES

1-800-SAWDUST (1.800.729.3878)
Monday-Friday, 7:00 AM - 6:30 PM CST
or visit www.milwaukeetool.com

Contact Corporate After Sales Service Technical Support with technical, service/repair, or warranty questions.

Email: metproductsupport@milwaukeetool.com

Become a Heavy Duty Club Member at www.milwaukeetool.com to receive important notifications regarding your tool purchases.

SERVICE - CANADA

Milwaukee Tool (Canada) Ltd
1.800.948.2360

Monday-Friday, 7:00 AM - 4:30 PM CST
or visit www.milwaukeetool.ca

LIMITED WARRANTY USA & CANADA

This MILWAUKEE power tool* is warranted to the original purchaser from an authorized MILWAUKEE distributor only to be free from defects in material and workmanship. Subject to certain exceptions, MILWAUKEE will repair or replace any part on this power tool which, after examination, is determined by MILWAUKEE to be defective in material or workmanship for a period of five (5) years after the date of purchase unless otherwise noted. Return of the power tool to a MILWAUKEE factory Service Center location or MILWAUKEE Authorized Service Station, freight prepaid and insured, is required. A copy of the proof of purchase should be included with the return product. This warranty does not apply to damage that MILWAUKEE determines to be from repairs made or attempted by anyone other than MILWAUKEE authorized personnel, misuse, alterations, abuse, normal wear and tear, lack of maintenance, or accidents.

Normal Wear: Many power tools need periodic parts replacement and service to achieve best performance. This warranty does not cover repair when normal use has exhausted the life of a part including, but not limited to, chucks, brushes, cords, saw shoes, blade clamps, o-rings, seals, bumpers, driver blades, pistons, strikers, lifters, and bumper cover washers.

*This warranty does not cover battery packs or all power tools. Refer to the separate and distinct warranties available for those products.

The warranty period for the LED in the LED Work Light (49-24-0171) and the LED Upgrade Bulb (49-81-0090) is the lifetime of the product subject to the limitations above. If during normal use the LED or LED Upgrade Bulb fails, the part will be replaced free of charge.

Warranty Registration is not necessary to obtain the applicable warranty on a MILWAUKEE power tool product. The manufacturing date of the product will be used to determine the warranty period if no proof of purchase is provided at the time warranty service is requested.

ACCEPTANCE OF THE EXCLUSIVE REPAIR AND REPLACEMENT REMEDIES DESCRIBED HEREIN IS A CONDITION OF THE CONTRACT FOR THE PURCHASE OF EVERY MILWAUKEE PRODUCT. IF YOU DO NOT AGREE TO THIS CONDITION, YOU SHOULD NOT PURCHASE THE PRODUCT. IN NO EVENT SHALL MILWAUKEE BE LIABLE FOR ANY INCIDENTAL, SPECIAL, CONSEQUENTIAL, OR PUNITIVE DAMAGES, OR FOR ANY COSTS, ATTORNEY FEES, EXPENSES, LOSSES OR DELAYS ALLEGED TO BE AS A CONSEQUENCE OF ANY DAMAGE TO, FAILURE OF, OR DEFECT IN ANY PRODUCT INCLUDING, BUT NOT LIMITED TO, ANY CLAIMS FOR LOSS OF PROFITS. SOME STATES DO NOT ALLOW THE EXCLUSION OR LIMITATION OF INCIDENTAL OR CONSEQUENTIAL DAMAGES, SO THE ABOVE LIMITATION OR EXCLUSION MAY NOT APPLY TO YOU. THIS WARRANTY IS EXCLUSIVE AND IN LIEU OF ALL OTHER EXPRESS WARRANTIES, WRITTEN OR ORAL, TO THE EXTENT PERMITTED BY LAW, MILWAUKEE DISCLAIMS ANY IMPLIED WARRANTIES, INCLUDING WITHOUT LIMITATION ANY IMPLIED WARRANTY OF MERCHANTABILITY OR FITNESS FOR A PARTICULAR USE OR PURPOSE; TO THE EXTENT SUCH DISCLAIMER IS NOT PERMITTED BY LAW, SUCH IMPLIED WARRANTIES ARE LIMITED TO THE DURATION OF THE APPLICABLE EXPRESS WARRANTY AS DESCRIBED ABOVE. SOME STATES DO NOT ALLOW LIMITATIONS ON HOW LONG AN IMPLIED WARRANTY LASTS, SO THE ABOVE LIMITATION MAY NOT APPLY TO YOU, THIS WARRANTY GIVES YOU SPECIFIC LEGAL RIGHTS, AND YOU MAY ALSO HAVE OTHER RIGHTS WHICH VARY FROM STATE TO STATE.

This warranty applies to product sold in the U.S.A. and Canada only. Please consult the 'Service Center Search' in the Parts & Service section of MILWAUKEE's website www.milwaukeetool.com or call 1.800.SAWDUST (1.800.729.3878) to locate your nearest service facility for warranty and non-warranty service on a MILWAUKEE power tool.

RÈGLES GÉNÉRALES DE SÉCURITÉ

⚠ AVERTISSEMENT

LORS DE L'UTILISATION D'UN ASPIRATEUR ÉLECTRIQUE, DES PRÉCAUTIONS ÉLÉMENTAIRES DOIVENT TOUJOURS ÊTRE PRISES. AVANT D'UTILISER L'ASPIRATEUR, LIRE LE PRÉSENT MANUEL D'UTILISATION AINSI QUE TOUTES LES ÉTIQUETTES SE TROUVANT SUR L'ASPIRATEUR. NE PAS SUIVRE L'ENSEMBLE DES AVERTISSEMENTS ET INSTRUCTIONS PEUT ENTRAÎNER UN CHOC ÉLECTRIQUE, UN INCENDIE ET/OU DES BLESSURES GRAVES.

SÉCURITÉ DU LIEU DE TRAVAIL

- **Veillez conserver votre zone de travail propre et bien éclairée.** Les zones encombrées ou sombres sont propices aux accidents.
- **Les aspirateur et autres pièces pouvant produire des étincelles durant leur fonctionnement normal.** Veillez conserver une distance de 10 mètres avec les zones pouvant contenir des matières explosives (tels que des pompes à essence et des endroits où des produits comme du diluant à peinture, des produits nettoyants, des solvants, etc. sont stockés).
- **Ne pas utiliser en présence de poussières, liquides ou vapeurs explosives.**
- **Ne pas utiliser là où de l'oxygène ou des anesthésiants sont utilisés.**
- **Interdire son utilisation comme un jouet.** Portez une attention particulière lorsque l'appareil est utilisé par ou proche d'enfants.
- **Utilisez des soins supplémentaires lors de l'utilisation sur les escaliers.**

SÉCURITÉ ÉLECTRIQUE

- **Ne pas manipuler la batterie ou le aspirateur mains mouillées.**

SÉCURITÉ INDIVIDUELLE

- **RESTEZ ATTENTIF** Restez attentif à ce que vous faites et utilisez votre bon sens. N'utilisez pas le dépoussiéreur si vous êtes fatigué, distrait ou sous l'influence de drogues, d'alcool ou d'une médication pouvant entraîner une diminution de votre contrôle.
- **Lors du fonctionnement d'un aspirateur des objets étrangers peuvent être projetés dans les yeux,** pouvant entraîner des blessures à l'oeil. Toujours porter des lunettes de sécurité ou des lunettes avec des protections latérales lorsque vous utilisez le aspirateur.
- **Porter un masque anti-poussière ou utiliser une solution d'extraction de poussière conforme aux normes OSHA** pendant que vous travaillez dans des circonstances poussiéreuses. Les particules de poussière peuvent nuire vos poumons.

- **Éviter les démarrages accidentels.** Veuillez vous assurer que l'interrupteur est sur la position **arrêt avant d'insérer la batterie.** Insérer la batterie dans le aspirateur dont l'interrupteur est sur le position marche est propice aux accidents.
- **Ne pas trop tendre les bras lors de son utilisation.** Toujours se tenir bien campé et en équilibre. Ceci vous permettra d'avoir un meilleur contrôle du aspirateur lors de situations inattendues.
- **Gardez les cheveux, les vêtements amples et les doigts loin des ouvertures et des parties en mouvement.**
- **Utiliser seulement tel que décrit dans le présent manuel.** N'utiliser que les attaches recommandées par le fabricant.
- **Empêcher les démarrages accidentels. S'assurer que la gâchette est en position d'arrêt avant de brancher l'outil à une source de courant, d'insérer la batterie, de le ramasser ou de le transporter.** Le fait de transporter un outil électrique en gardant le doigt sur la gâchette ou de mettre sous tension un outil électrique lorsque la gâchette est en position de marche favorise les accidents.

UTILISATION ET ENTRETIEN DU LES ASPIRATEUR

- **Ne pas utiliser si la boîte à poussière et/ou les filtres ne sont pas en place.**
- **Ne pas utiliser pour ramasser des liquides inflammables** tels que l'essence ou ne pas utiliser dans des endroits où de tels produits peuvent être présents.
- **Ne pas ramasser de matériaux en feu ou fumants** comme des cigarettes, des allumettes ou des cendres chaudes.
- **Ne pas ramasser de suie, de ciment, de plâtre ou de poussière de cloison sèche sans filtre en place.** Il s'agit de particules très fines pouvant affecter la performance du moteur ou être rejetées dans l'air.
- **Ce produit convient à la collecte de la poussière de silice lorsqu'il est utilisé conformément à ces instructions.** Afin de réduire les risques pour la santé issus de autres vapeurs ou de poussières, ne pas aspirer de matières toxiques, cancérigènes ou autres matières dangereuses comme l'amiante, l'arsenic, le baryum, le béryllium, le plomb, les pesticides ou autres matières pouvant mettre en danger la santé.
- **Apportez une attention toute particulière lorsque vous videz des réservoirs très chargés.**
- **Afin d'éviter toute combustion spontanée, vider la boîte à poussière après chaque utilisation.**
- **Nelaissez pas le aspirateur sans surveillance lorsque la batterie est installée.** Retirez la batterie lorsque l'appareil n'est pas en service et avant son entretien.
- **Débrancher le bloc-piles de l'appareil avant d'entreprendre tout réglage, de changer les accessoires ou d'entreposer l'appareil même.** De telles mesures préventives de sécurité minimisent le risque de démarrage accidentel de l'appareil.
- **Ne pas insérer d'objet dans les ouvertures.** Ne pas utiliser lorsqu'une des ouvertures est obstruée: les garder libre de toute poussière, peluches, cheveux et tout autre matière pouvant réduire le flux d'air.
- **Maintenance du aspirateur.** Vérifier le désalignement ou le blocage des pièces mobiles, le bris de pièces ou de toute autre condition pouvant affecter le fonctionnement du aspirateur. Si endommagé, veuillez faire réparer le aspirateur avant de l'utiliser. Beaucoup d'accidents se produisent suite à une mauvaise maintenance des outils.

UTILISATION ET ENTRETIEN DE LA BATTERIE

- Pour recharger le bloc-piles, utiliser seulement le chargeur spécifié par le fabricant. Un chargeur pouvant convenir à un type de bloc-piles peut entraîner un risque d'incendie lorsqu'il est utilisé avec un autre type de bloc-piles.
- N'utiliser l'outil électrique qu'avec une batterie recommandée. L'utilisation de tout autre bloc-piles peut créer un risque de blessures et d'incendie.
- Lorsque le bloc-piles n'est pas utilisé, le tenir éloigné des objets en métal tels que les trombones, les pièces de monnaie, les clés, les clous, les vis ou d'autres petits objets métalliques qui pourraient connecter les bornes. Le court-circuitage des bornes d'une pile peut entraîner des brûlures ou un incendie.
- Éviter tout contact avec le liquide pouvant être éjecté de la pile en cas de manutention abusive. En cas de contact accidentel, rincer immédiatement les parties atteintes avec de l'eau. Si le liquide entre en contact avec les yeux, consulter un médecin. Le liquide éjecté des piles peut causer des irritations ou des brûlures.
- N'utiliser aucun bloc-piles ni aucun outil ayant été endommagé ou modifié. Des piles endommagées ou modifiées peuvent adopter un comportement imprévisible pouvant causer un incendie, une explosion ou le risque de blessures.
- Ne pas exposer le bloc-piles ou l'outil aux flammes ou à une température excessive. Une exposition aux flammes ou à une température supérieure à 130°C (265°F) peut causer une explosion.
- Suivre toutes les instructions de charge et ne pas charger le bloc-piles ou l'outil en dehors de la plage de température spécifiée. Une charge incorrecte ou à des températures en dehors de la plage spécifiée peut endommager la pile et augmenter le risque d'incendie.

ENTRETIEN

- Les réparations de l'outil électrique doivent être confiées à un technicien qualifié, utilisant exclusivement des pièces identiques à celles d'origine. Le maintien de la sûreté de l'outil électrique sera ainsi assuré.
- Ne jamais effectuer la réparation d'un bloc-piles endommagé. La réparation du bloc-piles doit être réalisée par le fabricant ou les fournisseurs de service agréés uniquement.

RÈGLES DE SÉCURITÉ SPÉCIFIQUES POUR ASPIRATEUR

- Ne jamais utiliser l'aspirateur sans avoir le réservoir et le filtre correctement installés.
- Porter des protecteurs d'oreille. L'exposition au bruit peut entraîner une perte auditive.
- Ce produit convient à la collecte de la poussière de silice lorsqu'il est utilisé conformément à ces instructions. Afin de réduire les risques pour la santé issus de autres vapeurs ou de poussières, ne pas aspirer de matières toxiques, cancérigènes ou autres matières dangereuses comme l'amiante, l'arsenic, le baryum, le béryllium, le plomb, les pesticides ou autres matières pouvant mettre en danger la santé.

AVERTISSEMENT

- Afin de minimiser le risque de blessures, lorsque de travaux sont faits dans de situations poussiéreuses, porter une protection respiratoire ou bien, utiliser une solution d'extraction de poussière conforme aux normes OSHA.
- Toujours faire preuve de bon sens et procéder avec prudence lors de l'utilisation d'outils. C'est impossible de prévoir toutes les situations dont le résultat est dangereux. Ne pas utiliser cet outil si vous ne comprenez pas ces instructions d'opération ou si vous pensez que le travail dépasse votre capacité ; veuillez contacter Milwaukee Tool ou un professionnel formé pour recevoir plus d'information ou formation.
- Maintenir en l'état les étiquettes et les plaques d'identification. Des informations importantes y figurent. Si elles sont illisibles ou manquantes, contacter un centre de services et d'entretien MILWAUKEE pour un remplacement gratuit.

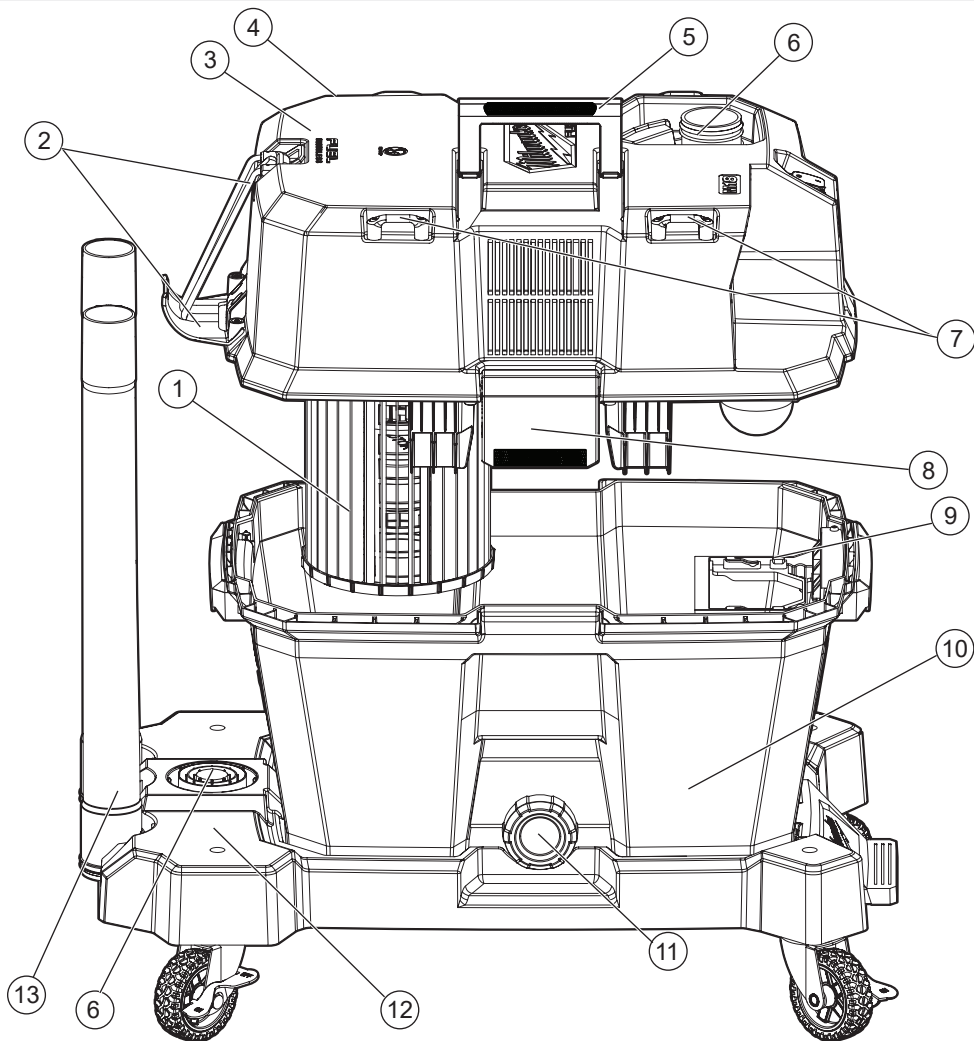
AVERTISSEMENT

- Certaines poussières générées par les activités de ponçage, de coupe, de rectification, de perçage et d'autres activités de construction contiennent des substances considérées être la cause de malformations congénitales et de troubles de l'appareil reproducteur. Parmi ces substances figurent :
- le plomb contenu dans les peintures à base de plomb ;
 - la silice cristalline des briques, du ciment et d'autres matériaux de maçonnerie, ainsi que
 - l'arsenic et le chrome des sciages traités chimiquement.
- Les risques encourus par l'opérateur envers ces expositions varient en fonction de la fréquence de ce type de travail. Pour réduire l'exposition à ces substances chimiques, l'opérateur doit : travailler dans une zone bien ventilée et porter l'équipement de sécurité approprié, tel qu'un masque anti-poussière spécialement conçu pour filtrer les particules microscopiques.

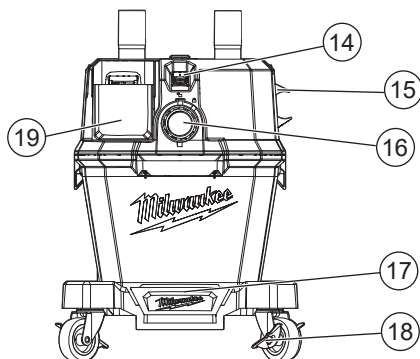
LIRE TOUTES LES INSTRUCTIONS ET LES CONSERVER À DES FINS DE RÉFÉRENCE ULTÉRIEURE

POUR UTILISATION DOMESTIQUE OU COMMERCIALE.

DESCRIPTION FONCTIONNELLE



- | | |
|--|--|
| <p>1. Filtre haute efficacité (inclus avec 0910-20 uniquement)</p> <p>2. Compartiment de rangement des tuyaux</p> <p>3. Boîtier de moteur</p> <p>4. Orifice de soufflante (non illustré)</p> <p>5. Poignée</p> <p>6. Aires de rangement d'accessoires</p> <p>7. Sangles à cliquet</p> <p>8. Loquets de réservoir (avant et arrière)</p> <p>9. Support pour sac à poussière</p> | <p>10. Aspirateur de secs et humides réservoir de 23 L (6 gal)</p> <p>11. Capuchon de vidange du réservoir</p> <p>12. Aspirateur de secs et humides empaquetement (0923-20)</p> <p>13. Tube-rallonge</p> |
|--|--|



- | |
|---|
| <p>14. Commutateur</p> <p>15. Clip de rangement de tuyau</p> <p>16. Entrée d'aspiration</p> <p>17. Pédale</p> <p>18. Verrou de roue</p> <p>19. Compartiment des piles</p> |
|---|

PICTOGRAPHIE

	Volts
	Courant direct
	Lire le manuel d'utilisation
	Porter une protection oculaire
	Ne pas étape
	Mode d'alimentation maximale
	Désactiver
	Mode d'exécution maximal
	UL Listing Mark pour Canada et États-unis

SPÉCIFICATIONS

No de Cat.....	0910-20, 0911-20
Volts.....	18 CD
Type de batterie	M18™
Type de chargeur	M18™
Debit d'air	41 litres par seconde
Succion.....	14 kPa
Capacité*.....	23 L (6 gal)
Température ambiante de fonctionnement recommandée	-18°C à 40°C (0°F à 104°F)

* Les gallons marqués représentent le volume du tambour, pas nécessairement la capacité de collecte. La capacité réelle dépendra du type des débris aspirés, de l'état de conservation du filtre ainsi que d'autres facteurs. Aspirateur de secs et humides réservoir de 23 L (6 Gal) inclus avec 0910-20 uniquement.

MONTAGE DE L'OUTIL

⚠ AVERTISSEMENT

Afin de réduire les risques de blessures, toujours retirer le bloc-piles avant de retirer le réservoir.

⚠ ATTENTION

Garder le filtre propre. L'efficacité de l'aspirateur dépend en grande partie du filtre. Un filtre sale réduit la circulation de l'air ainsi que l'efficacité globale du système. Retirer du réservoir et appuyez sur propre.

⚠ AVERTISSEMENT

Ne recharger la batterie qu'avec le chargeur spécifié. Pour les instructions de charge spécifiques, lire le manuel d'utilisation fourni avec le chargeur et les batteries.

Insertion/Retrait de la batterie

Pour retirer la batterie, enfoncer les boutons de déverrouillage et la tirer hors de l'outil.

⚠ AVERTISSEMENT

Toujours retirer la batterie les fois que l'outil est inutilisé.

Pour insérer la batterie, la glisser dans le corps de l'outil. S'assurer qu'elle est fixée solidement.

Retrait/installation des filtres

Utiliser le filtre haute efficacité **uniquement** pour les tâches d'aspiration de débris secs. Utiliser le filtre en mousse **uniquement** pour les tâches d'aspiration de débris humides.

1. Retirer le bloc-piles.
2. Libérer les loquets du réservoir et soulever le boîtier du moteur. Le poser renversé sur une surface plane.
3. Pour **retirer** le filtre, le tourner de demi dans le sens antihoraire et retirer le filtre du boîtier du moteur/de la cage du flotteur.
4. Vider tous les débris du réservoir.

AVIS Le cas échéant, respectez les directives du chantier concernant l'élimination de la poussière de silice.

5. Pour **installer** le filtre, le faire glisser sur la cage flottante. Aligner les languettes du filtre avec les encoches du boîtier du moteur et le tourner de demi dans le sens horaire pour le verrouiller en place.
6. Remettre le boîtier du moteur en place et attacher les deux loquets.

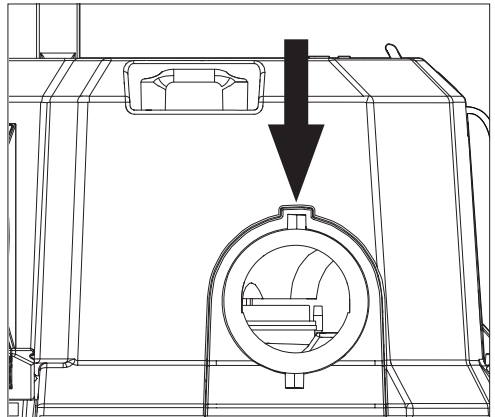
⚠ AVERTISSEMENT

Pour réduire le risque de blessures, porter des lunettes de sécurité munies d'écrans latéraux de protection et un masque antipoussières pour utiliser l'aspirateur pour souffler des débris. Bien nettoyer le réservoir avant d'utiliser l'appareil.

Ramassage/Soufflante

L'aspirateur peut être utilisé pour le ramassage des débris ou comme soufflante, selon le port utilisé.

1. Pour **ramasser** les débris, insérer la grande extrémité du tuyau dans l'orifice d'admission du boîtier du moteur, en alignant les languettes du tuyau avec les encoches dans l'orifice. Tourner pour attacher le tuyau et former un ajustement serré.



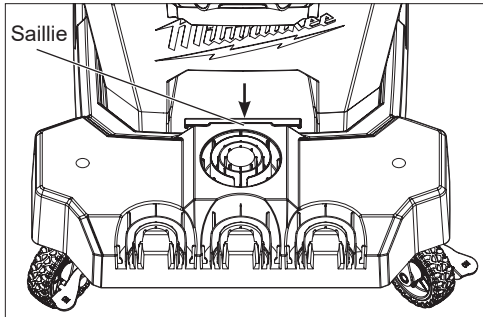
2. Pour un usage de **soufflante**, insérer la grande extrémité du tuyau  dans l'orifice de soufflante du boîtier du moteur, en alignant les languettes du tuyau avec les encoches dans l'orifice. Tourner pour attacher le tuyau et former un ajustement serré.

⚠ AVERTISSEMENT

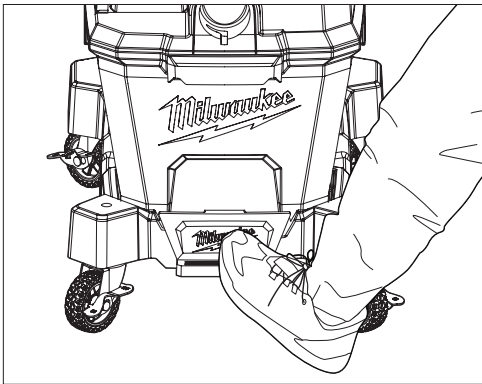
L'emploi d'accessoires autres que ceux qui sont expressément recommandés pour cet outil peut comporter des risques.

Fixation / enlèvement du chariot pour secs et humides aspirateur


1. Pour le **fixer**, mettre la partie arrière de l'aspirateur sur le chariot, en tenant la partie avant inclinée vers le haut. L'entrée d'aspiration devra s'orienter vers l'avant du chariot où se trouve la pédale.
2. Glisser la partie arrière de l'aspirateur sous la saillie.




3. Abaisser la partie avant de l'aspirateur pour qu'elle s'aligne sur le chariot et la saillie avant. Quand le chariot encliquette en place, l'aspirateur sera y fixé.
4. Pour l'**enlever**, appuyer un pied sur la pédale. Hausser l'aspirateur en tenant la poignée loin du chariot.



Installation / enlèvement du tuyau

Pour **installer** le tuyau, aligner les entailles sur le tuyau avec l'entrée d'aspiration. Le pousser et tourner vers la position de verrouillage  pour le fixer sur place.

Pour **retirer** le tuyau, le tourner vers la position de déverrouillage  et tirer sur lui pour le séparer de l'entrée d'aspiration.

Installation et retrait des accessoires

Pour **installer** les buses ou les rallonges, pousser l'accessoire dans le tuyau de l'aspirateur jusqu'à ce qu'il s'encliquette sur place.

Pour **enlever** l'accessoire, tirer sur lui pour le séparer de l'entrée d'eau du tuyau. Ranger les accessoires dans la tête du moteur, ou bien dans les espaces de rangement indiqués dans le chariot.

Installation / enlèvement de l'adaptateur de dépeussierage

(No de Cat. 49-90-1980 ; non compris)

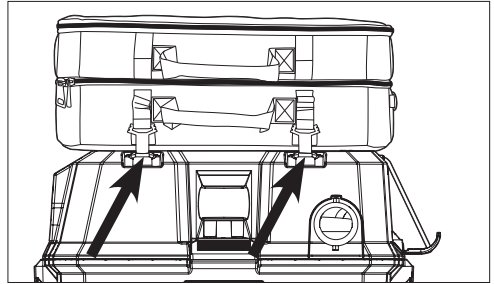
L'adaptateur pour tuyaux de dépeussierage est utilisé pour relier le tuyau à un outil électrique en lieu d'autre moyen de dépeussierage, tel qu'un sac à poussière. Pour **installer** l'adaptateur, enlever tous les succeurs et les accessoires du bout du tuyau. Faire tourner l'adaptateur sur le tuyau jusqu'à ce qu'il se ferme, ceci pour achever un ajustage ferme.

Pour l'**enlever**, suivre le processus à l'inverse.

Installation / enlèvement de la sacoche de rangement pour accessoires

(No de Cat. 49-90-2019 ; non compris)

1. Pour l'**installer**, constater que la partie supérieure du boîtier du moteur est libre.
2. Mettre la sacoche de rangement pour accessoires sur le boîtier de moteur, en tenant le logotype vers le haut.
3. Repérer sur les crochets de la sacoche de rangement pour accessoires et les fixer aux sangles à cliquet qui se trouvent sur le boîtier de moteur. **REMARQUE** : Il y a 2 sangles à cliquet pour rangement à chaque côté du boîtier de moteur, totalisant 4 sangles à cliquet pour rangement.



4. Pour l'**enlever**, décrocher la sacoche de rangement pour accessoires du boîtier du moteur et l'enlever.

⚠ AVERTISSEMENT

Afin de minimiser le risque de blessures, toujours porter la protection oculaire appropriée certifiée conforme à la norme ANSI Z87.1.

Lorsque de travaux sont faits dans de situations poussiéreuses, porter une protection respiratoire ou bien, utiliser une solution d'extraction de poussière conforme aux normes OSHA.

Afin de réduire le risque d'incendie et de blessure, ne pas utiliser pour ramasser des matières inflammables.

Vider le réservoir avant utilisation.

Avant toute utilisation, s'assurer que le filtre et la cage du flotteur sont correctement installés.

Retirer le filtre avant l'aspiration des déchets humides. Enlever le filtre pour détritiques secs avant d'entreprendre les tâches d'aspiration de détritiques humides.

Démarrage et arrêt de l'aspirateur

Pour démarrer l'aspirateur en vitesse **mode d'alimentation maximale**, pousser le commutateur sur la position de vitesse 1 (I).

Pour démarrer l'aspirateur en vitesse **mode d'exécution maximal**, pousser le commutateur sur la position de vitesse 2 (II).

Pour **arrêter** l'aspirateur, mettre le commutateur sur la position d'arrêt (0).

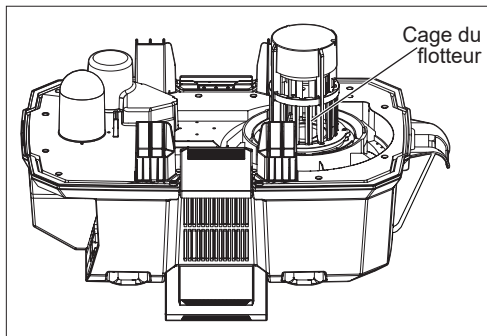
⚠ ATTENTION

Si le flotteur est propre, se déplace librement, et l'aspiration ne s'éteint pas lorsque le réservoir est rempli, contactez une installation de service MILWAUKEE pour les réparations. Un outil défectueux peut causer des blessures corporelles ou des dommages matériels.

Opération de ramassage de liquide

Pour le ramassage humide, il est recommandé d'utiliser le filtre en mousse (Pack unique, No de Cat. 49-90-1990).

1. Retirer le bloc-piles.
2. Retirer TOUTE la poussière et TOUS les débris qui se trouvent dans le réservoir.
3. Enlever le filtre haute efficacité et installer le filtre en mousse (voir la section « Retrait/installation des filtres »). S'assurer que la cage de flotteur reste en place.



4. Une cage de flotteur arrête l'aspiration lorsque le réservoir est plein. S'assurer que le flotteur est propre et se déplace librement dans la cage du flotteur pour garantir le bon fonctionnement de la soupape à flotteur.
5. Insérer la batterie.
6. Allumer l'aspirateur et commencer à aspirer.
7. Arrêter l'aspirateur immédiatement après le ramassage de liquide ou quand le réservoir est plein et prêt à être vidé.
Si l'aspiration est interrompue, arrêter l'aspirateur immédiatement et vider le réservoir.
8. Retirer le bloc-piles.
9. Pour vider le réservoir, hausser le tuyau pour vidanger tout excès de liquide qui reste dans le réservoir. Ne pas utiliser l'entrée d'aspiration pour vidanger ce qui est dans le réservoir.
10. Retirer le boîtier du moteur et verser les déchets liquides dans un drain approprié.
11. Nettoyer régulièrement l'intérieur du réservoir et les accessoires de ramassage; le faire plus souvent lorsqu'ils sont utilisés pour ramasser des matériaux humides et collants. Utiliser de l'eau chaude savonneuse. Ne pas entreposer l'aspirateur s'il a toujours du liquide à l'intérieur.

Arrêt automatique de l'aspiration

Lorsque des liquides sont aspirés, un flotteur interne monte jusqu'à ce qu'il se place contre un joint à l'admission du moteur, coupant l'aspiration. Lorsque cela se produit, le moteur émet un bruit plus élevé que la normale et l'aspiration est considérablement réduite. Si cela se produit, éteindre immédiatement l'aspirateur.

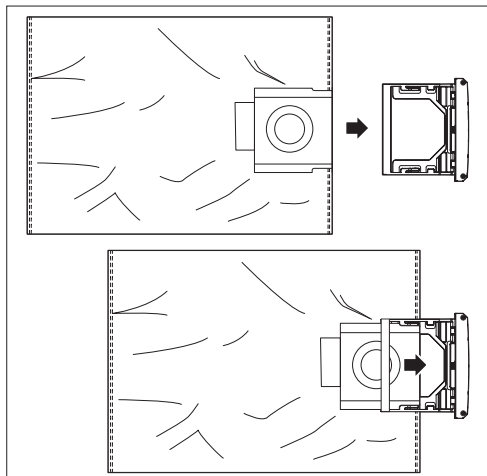
AVIS

Ne pas éteindre l'aspirateur après la montée du flotteur et arrêter l'aspiration entraînera des dommages au moteur. Pour continuer à utiliser l'aspirateur, vider les déchets liquides du réservoir. Si l'aspirateur est accidentellement renversé, il peut cesser d'aspirer. Éteindre l'aspirateur et le remettre en position verticale. Le flotteur reviendra à sa position normale.

Installation / enlèvement du sac à poussière en toison

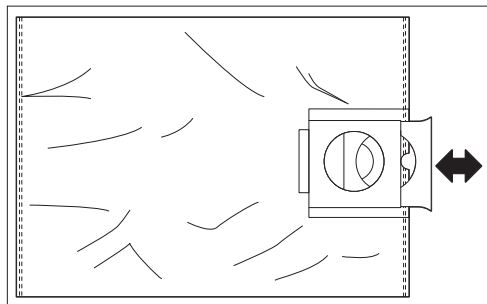
Afin de jouir d'une vie plus longue de votre filtre et d'une facilité de nettoyage, utiliser un sac à poussière en toison pour ramasser les particules fines de poussière (paquet individuel, No de Cat. 49-90-1979).

1. Pour l'installer, ouvrir les loquets du réservoir et enlever le boîtier de moteur.
2. Soulever le porte-sac à poussière et le faire sortir pour l'enlever du réservoir.
3. Glisser l'entrée du sac à poussière en carton dans le porte-sac à poussière.



4. Pour réinsérer le porte-sac à poussière dans la rainure, le pousser vers le bas pour le fixer sur place.
5. Étendre le sac à poussière à l'intérieur du réservoir. Remplacer le boîtier de moteur et bien fermer tous les deux loquets.
6. Pour l'enlever, ouvrir les loquets du réservoir et enlever le boîtier de moteur.
7. Soulever le porte-sac à poussière et le faire sortir pour l'enlever du réservoir.
8. Glisser le porte-sac à poussière pour le séparer du sac à poussière.
9. Tirer sur la languette en carton jusqu'à ce que l'entrée du sac à poussière soit fermée. Le sac à poussière sera étanche maintenant et vous pourrez vous débarrasser de lui comme il faut.

Remplacer le sac à poussière en toison lorsque le sac est complètement rempli, la succion diminue ou le sac à poussière a subi des dommages.



Stockage

Avant de ranger votre aspirateur, vider et nettoyer le réservoir, le filtre et les accessoires. Retirer le bloc-piles.

ENTRETIEN

⚠ AVERTISSEMENT

Pour minimiser les risques de blessures corporelles, débranchez le chargeur et retirez la batterie du chargeur ou de l'outil avant d'y effectuer des travaux d'entretien. Ne démontez jamais l'outil, la batterie ou le chargeur. Pour toute réparation, consultez un centre de service MILWAUKEE agréé. Ne jamais utiliser l'aspirateur sans avoir le réservoir et le filtre correctement installés.

Entretien des filtres

Maintenir le filtre propre. Pour nettoyer le filtre, faire tourner le couvercle à gauche pour le déverrouiller du flotteur / du boîtier du moteur. Tirer sur le filtre pour le séparer de l'aspirateur. Pour vider les débris, le tenir à l'écart du visage de l'utilisateur et taper sur lui pour le nettoyer. Il est possible de nettoyer le filtre à l'aide de l'eau.

Si vous nettoyez les filtres à haute efficacité avec de l'eau, laissez le filtre sécher 24 heures avant de l'utiliser avec l'aspirateur. Remplacer le filtre s'il est endommagé ou si la puissance d'aspiration décroît (le filtre haute efficacité seul paquet, No de Cat. 49-90-1977, 49-90-1978 ou le filtre en mousse seul paquet, No de Cat. 49-90-1990).

Entretien de l'outil

Gardez l'outil en bon état en adoptant un programme d'entretien ponctuel. Inspectez votre outil pour des questions telles que le bruit excessif, de grippage des pièces mobiles, de pièces cassées ou toute autre condition qui peut affecter le fonctionnement de l'outil. Retournez votre outil à un centre de service MILWAUKEE agréé pour obtenir le service. Après une période pouvant aller de 6 mois à un an, selon l'usage, retournez votre outil à un centre de service MILWAUKEE agréé pour d'inspection.

Si l'outil ne démarre pas ou ne fonctionne pas à pleine puissance alors qu'il est branché sur une batterie complètement chargée, nettoyez les points de contact entre la batterie et l'outil. Si l'outil ne fonctionne toujours pas correctement, renvoyez l'outil, le chargeur et la batterie à un centre de service MILWAUKEE agréé.

⚠ AVERTISSEMENT

Pour minimiser les risques de blessures ou de dommages à l'outil, n'immergez jamais l'outil, la batterie ou le chargeur et ne laissez pas de liquide s'infiltrer.

Nettoyage

Débarrassez les tous événements des débris et de la poussière. Gardez les outil propres, à sec et exempts d'huile ou de graisse. Le nettoyage doit se faire avec un linge humide et un savon doux. Certains nettoyants tels l'essence, la térébenthine, les diluants à laque ou à peinture, les solvants chlorés, l'ammoniaque et les détergents d'usage domestique qui en contiennent pourraient détériorer le plastique et l'isolation des pièces. Ne laissez jamais de solvants inflammables ou combustibles auprès des outils.

Réparations

Pour les réparations, retournez outil, batterie et chargeur en entier au centre-service autorisé le plus près.

ACCESOIRES

AVERTISSEMENT

L'utilisation d'autres accessoires que ceux qui sont spécifiquement recommandés pour cet outil peut comporter des risques.

Pour une liste complète des accessoires, visiter le site internet www.milwaukeetool.com ou contactez un distributeur.

Compatible avec l'aspirateur de secs et humides 0910-20	
0912-20	Aspirateur de secs et humides réservoir de 34 L (9 gal)
0932-20	Aspirateur de secs et humides réservoir de 45 L (12 gal)
0931-20	6,5 Tête de moteur à vide humide / sec HP de pointe
0921-20	Tête du moteur à double batterie de l'aspirateur de secs et humides M18 FUEL™
0933-20	Panier à vide humide / sec premium
49-90-1980	Adaptateur de dé poussiérage

SERVICE - CANADA

Milwaukee Tool (Canada) Ltd
1.800.948.2360

Monday-Friday, 7:00 AM - 4:30 PM CST
www.milwaukeetool.ca

GARANTIE LIMITÉE - AUX ÉTATS-UNIS ET AU CANADA

Cet outil électrique MILWAUKEE® est garanti à l'acheteur d'origine uniquement par un distributeur agréé de MILWAUKEE d'être exempt de vice du matériau et de fabrication. Sous réserve de certaines exceptions, MILWAUKEE réparera ou remplacera toute pièce de cet outil électrique qui, après examen par MILWAUKEE, est affectée d'un vice de matériau ou de fabrication pendant une période de cinq (5) ans après la date d'achat, sauf indication contraire. Il faudra retourner l'outil électrique à un centre de service en usine MILWAUKEE ou à un poste d'entretien agréé MILWAUKEE, en port prépayé et assuré. Une copie de la preuve d'achat doit être présentée lors du retour du produit. Cette garantie ne couvre pas les dommages que MILWAUKEE détermine d'être causés par des réparations ou des tentatives de réparation par quiconque d'autre que le personnel agréé par MILWAUKEE, des utilisations incorrectes, des altérations, des utilisations abusives, une usure normale, une carence d'entretien ou les accidents. Usure normale : Par rapport à plusieurs outils électriques, il faut remplacer et entretenir leurs pièces afin de jouir de leur rendement optimal. Cette garantie ne couvre pas les cas de réparation lorsque la vie utile normale de la pièce s'est terminée, incluant, sans s'y limiter, les mandrins, les balais, les câbles, les patins de scie, les brides de lame, les joints toriques, les embouts, les buttoirs, les lames d'entraînement, les pistons, les perceurs, les poussoirs et les rondelles de protection de butoir.

*Cette garantie ne couvre ni les blocs-piles ni tous les outils électriques. Veuillez vous reporter aux autres garanties différentes disponibles pour ces produits.

La période durant laquelle la garantie est valable pour la lumière à DEL de la lampe de travail à DEL (49-24-0171) et l'ampoule transformée à DEL (49-81-0090) est d'une durée égale à la vie utile du produit en raison des limites au-dessus. Si la lumière à DEL ou l'ampoule transformée à DEL tombent en panne durant l'utilisation normale, la pièce sera remplacée gratuitement.

L'inscription de la garantie n'est pas nécessaire pour bénéficier de la garantie en vigueur d'un outil électrique MILWAUKEE. La date de fabrication du produit servira à établir la période de garantie si aucune preuve d'achat n'est fournie lorsqu'une demande de service sous garantie est faite.

L'ACCEPTATION DES RECOURS EXCLUSIFS DE RÉPARATION ET DE REMPLACEMENT DÉCRITS PAR LA PRÉSENTE EST UNE CONDITION DU CONTRAT D'ACHAT DE TOUT PRODUIT MILWAUKEE. SI VOUS N'ACCEPTÉZ PAS CETTE CONDITION, VOUS NE DEVEZ PAS ACHETER LE PRODUIT. EN AUCUN CAS MILWAUKEE NE SAURAIT ÊTRE RESPONSABLE DE TOUT DOMMAGE ACCESSOIRE, SPÉCIAL OU INDIRECT, DE DOMMAGES-INTÉRÊTS PUNITIFS OU DE TOUTE DÉPENSE, D'HONORAIRES D'AVOCATS, DE FRAIS, DE PERTE OU DE DÉLAIS ACCESSOIRES À TOUT DOMMAGE, DÉFAILLANCE OU DÉFAUT DE TOUT PRODUIT, Y COMPRIS NOTAMMENT LES PERTES DE PROFIT. CERTAINS ÉTATS ET PROVINCES NE PERMETTANT L'EXCLUSION OU LA LIMITATION DES DOMMAGES DIRECTS OU INDIRECTS, LES RESTRICTIONS CI-DESSOUS PEUVENT NE PAS ÊTRE APPLICABLES. CETTE GARANTIE EST EXCLUSIVE ET REMPLACE TOUTE AUTRE GARANTIE EXPRESSE, QU'ELLE SOIT VERBALE OU ÉCRITE, DANS LA MESURE PERMISE PAR LA LOI. MILWAUKEE RENONCE À TOUTE GARANTIE IMPLICITE, Y COMPRIS, SANS S'Y LIMITER, TOUTE GARANTIE IMPLICITE DE COMMERCIALISABILITÉ OU D'ADAPTATION À UNE UTILISATION OU À UNE FIN PARTICULIÈRE, DANS LA MESURE OU UNE TELLE STIPULATION D'EXONÉRATION N'EST PAS PERMISE PAR LA LOI. LA DURÉE DE CES GARANTIES IMPLICITES EST LIMITÉE À LA PÉRIODE APPLICABLE DE LA GARANTIE EXPRESSE, TELLE QUE CELA EST DÉCRIT PRÉCÉDEMMENT. CERTAINES PROVINCES NE PERMETTANT PAS DE LIMITATION DE DURÉE DES GARANTIES IMPLICITES, LES RESTRICTIONS CI-DESSOUS PEUVENT NE PAS ÊTRE APPLICABLES. LA PRÉSENTE CONFÈRE À L'UTILISATEUR DES DROITS LÉGAUX PARTICULIERS; IL BÉNÉFICIE ÉGALEMENT D'AUTRES DROITS QUI VARIENT D'UNE PROVINCE À L'AUTRE. Cette garantie s'applique uniquement aux produits vendus aux États-Unis et au Canada.

Veuillez consulter l'onglet « Trouver un centre Service », dans la section « Pièces et service » du site web de MILWAUKEE, à l'adresse www.milwaukeetool.com, ou composer le 1.800.SAWDUST (1.800.729.3878) afin de trouver le centre de service le plus proche dans votre région pour l'entretien, sous garantie ou non, de votre outil électrique MILWAUKEE.

REGLAS DE SEGURIDAD GENERALES

⚠️ ADVERTENCIA AL UTILIZAR UNA ASPIRADORA ELÉCTRICA, SIEMPRE DEBEN SEGUIRSE PRECAUCIONES BÁSICAS. ANTES DE UTILIZAR LA ASPIRADORA, LEA ESTE MANUAL DEL OPERADOR, Y TODAS LAS ETIQUETAS DE LA ASPIRADORA. HACER CASO OMISO DE LAS ADVERTENCIAS E INSTRUCCIONES PODRÍA PROVOCAR UNA DESCARGA ELÉCTRICA, INCENDIO O LESIONES GRAVES.

SEGURIDAD EN EL ÁREA DE TRABAJO

- Mantenga el área de trabajo limpia y bien iluminada. Las áreas desordenadas u oscuras son lugares propensos para los accidentes.
- Las aspiradoras tienen motores y otras partes que pueden producir chispas durante el uso normal. No use el extractor a una distancia menor de 9 metros en áreas donde puede haber materiales explosivos (como por ejemplo, bombas a gasolina y lugares donde se almacenan líquidos, como disolventes, limpiadores, solventes, etc.).
- No lo use en áreas donde hay polvos, líquidos o vapores explosivos.
- No lo use donde se utiliza oxígeno o anestésicos.
- No permita que se use como un juguete. Debe prestar mucha atención cuando usa el extractor en un lugar donde hay niños cerca.
- Ponga especial cuidado si lo usa en las escaleras.

SEGURIDAD ELÉCTRICA

- No manipule el paquete de baterías ni el aspiradora con las manos húmedas.

SEGURIDAD PERSONAL

- **MANTÉNGASE ALERTA.** Fíjese en lo que está haciendo y use el sentido común. No use el aspiradora si está cansado, distraído o bajo influencia de drogas, alcohol o medicamentos que puedan causarle una disminución del control.
- **Es posible que mientras el aspiradora está en funcionamiento despiada elementos extraños que pueden entrar en sus ojos y causarle una lesión ocular.** Use siempre gafas o anteojos de seguridad con protección lateral cuando está operando un aspiradora.
- **Utilice una mascarilla facial o use una solución de extracción de polvo que cumpla con las normas de OSHA** cuando trabaje en condiciones de mucho polvo. Las partículas de polvo pueden dañar sus pulmones.
- **Evite un comienzo con accidentes.** Asegúrese de que el interruptor está en la posición de apagado antes de insertar el paquete de baterías. Insertar el paquete de baterías en un aspiradora encendido puede producir accidentes.

- **No se estire demasiado.** Manténgase bien parado y en equilibrio todo el tiempo. Esto le permite controlar mejor el aspiradora en situaciones inesperadas.
- **Mantenga el cabello, la ropa suelta, los dedos y todas las partes del cuerpo alejadas de los orificios y piezas en movimiento.**
- **Uselos sólo como se describe en este manual.** Use sólo los accesorios recomendados por el fabricante.
- **Evite el arranque accidental.** Asegúrese de que el interruptor esté en la posición de apagado antes de conectarlo a una fuente de poder y/o batería, levantar o trasladar la herramienta. Trasladar herramientas con el dedo en el interruptor o energizar herramientas eléctricas que tienen el interruptor encendido propicia accidentes.

USO Y CUIDADO DE ASPIRADORA

- **No use el extractor sin colocar en su lugar el recipiente para el polvo y/o el filtro.**
- **No lo use para aspirar líquidos o combustibles inflamables,** como por ejemplo gasolina. No lo use en áreas donde esos líquidos puedan estar presentes.
- **No aspire nada que se esté quemando ni echando humo,** como cigarrillos, cerillas o cenizas calientes.
- **No aspire polvo de hollín, cemento, yeso ni revoque sin que el filtro esté en su lugar.** Estas son partículas muy finas que pueden afectar el desempeño del motor o bien ser expulsados al aire.
- **Este producto es adecuado para la recolección de polvo de sílice cuando se utiliza de acuerdo con estas instrucciones.** Para reducir el riesgo de peligros en la salud por inhalación de otros vapores o polvo, no aspire materiales tóxicos, cancerígenos ni otras sustancias peligrosas, como por ejemplo asbestos, arsénico, bario, berilio, plomo, pesticidas u otras sustancias que pongan en riesgo su salud.
- **Ponga especial cuidado cuando vacía tanques muy cargados.**
- **Para evitar la combustión espontánea, vacíe el recipiente para el polvo después de cada uso.**
- **No deje el aspiradora sin supervisión cuando el paquete de baterías está instalado.** Extraiga el paquete de baterías cuando no usa el extractor y antes de hacerle mantenimiento.
- **Desconecte la batería del aparato antes de hacer antes de realizar cualquier ajuste, cambiar accesorios o almacenar el aparato.** Tales medidas preventivas de seguridad disminuyen el riesgo de que el aparato se encienda accidentalmente.
- **No coloque ningún objeto en los orificios.** No use con algún orificio bloqueado, manténgalo libre de polvo, pelusa, cabellos y de cualquier elemento que pueda disminuir la circulación del aire.
- **Mantenimiento del aspiradora.** Controle si hay algún defecto de alineación, traba de piezas móviles o cualquier otra condición que pueda afectar la operación de aspiradora. Si hay alguna avería, haga reparar el aspiradora antes de usarlo. Muchos accidentes se producen por herramientas en mal estado de conservación.

USO Y CUIDADO DE LAS HERRAMIENTAS CON BATERÍA

- **Recargue únicamente con el cargador especificado por el fabricante.** Un cargador que es adecuado para un tipo de batería puede crear un riesgo de incendio si se utiliza con otra batería.
- **Utilice las herramientas eléctricas únicamente con baterías específicamente diseñadas.** El uso de cualquier otra batería puede producir un riesgo de lesiones e incendio.
- **Cuando la batería no esté en uso, manténgala alejada de otros objetos metálicos como sujetapapeles, monedas, llaves, clavos, tornillos u otros objetos metálicos pequeños que puedan formar una conexión de una terminal a otra.** Crear un corto entre las terminales de la batería puede ocasionar quemaduras o un incendio.
- **Bajo condiciones de maltrato, el líquido puede ser expulsado de la batería, evite el contacto. En caso de contacto accidental, lave con agua. Si el líquido entra en contacto con los ojos, busque además ayuda médica.** El líquido expulsado de la batería puede causar irritación o quemaduras.
- **No use una batería o herramienta que se haya dañado o modificado.** Las baterías dañadas o modificadas pueden mostrar un comportamiento impredecible, causando incendios, explosión o riesgo de lesión.
- **No exponga una batería o herramienta al fuego o a temperatura excesiva.** La exposición a fuego o temperatura a más de 130°C (265°F) puede causar explosiones.
- **Siga todas las instrucciones de carga y no cargue la batería o la herramienta fuera del rango de temperatura especificado en las instrucciones.** La carga incorrecta o a temperaturas fuera del rango especificado puede dañar la batería y aumentar el riesgo de incendio.

MANTENIMIENTO

- **Lleve su herramienta eléctrica a servicio con un técnico calificado que use únicamente piezas de reemplazo idénticas.** Esto asegurará que la seguridad de la herramienta eléctrica se mantenga.
- **Nunca dé servicio a baterías dañadas.** Únicamente el fabricante o proveedores de servicio autorizados deben dar servicio a las baterías.

REGLAS ESPECIFICAS DE SEGURIDAD PARA ASPIRADORA EN SECO/HUMEDO

- **Nunca use la aspiradora si el tanque y/o los filtros no están instalados correctamente.**
- **Utilice protectores auditivos.** La exposición al ruido puede causar pérdida auditiva.
- **Este producto es adecuado para la recolección de polvo de sílice cuando se utiliza de acuerdo con estas instrucciones.** Para reducir el riesgo de peligros en la salud por inhalación de otros vapores o polvo, no aspire materiales tóxicos, cancerígenos ni otras sustancias peligrosas, como por ejemplo asbestos, arsénico, bario, berilio, plomo, pesticidas u otras sustancias que pongan en riesgo su salud.

⚠ ADVERTENCIA Para reducir el riesgo de lesiones, al momento de realizar trabajos en situaciones donde haya presencia de polvo, utilice la protección respiratoria adecuada o utilice una solución de extracción de polvo que cumpla con los requisitos de la OSHA.

• **Válgase siempre de su sentido común y sea cuidadoso cuando utilice herramientas.** No es posible anticipar todas las situaciones que podrían tener un desenlace peligroso. No utilice esta herramienta si no entiende estas instrucciones de uso o si considera que el trabajo a realizar supera sus capacidades, comuníquese con Milwaukee Tool o con un profesional capacitado para recibir capacitación o información adicional.

• **Conserve las etiquetas y las placas nominales.** Contienen información importante. Si son ilegibles o no están presentes, comuníquese con un centro de servicio MILWAUKEE para obtener un reemplazo gratuito.










⚠ ADVERTENCIA Algunos polvos generados por el lijado eléctrico, aserrado, pulido, taladrado y otras actividades de construcción contienen químicos identificados como causantes de cáncer, defectos congénitos u otros daños reproductivos. Algunos ejemplos de estos químicos son:

- plomo de pintura basada en plomo
 - dióxido de silicio de los ladrillos y el cemento y otros productos de albañilería y
 - arsénico y cromo de madera con tratamiento químico.
- Su riesgo por estas exposiciones varía, dependiendo de la frecuencia con que realice este tipo de trabajo. Para reducir su exposición a estos químicos: trabaje en un área bien ventilada y trabaje con equipo de seguridad aprobado, como mascarillas protectoras contra polvo especialmente diseñadas para filtrar partículas microscópicas.

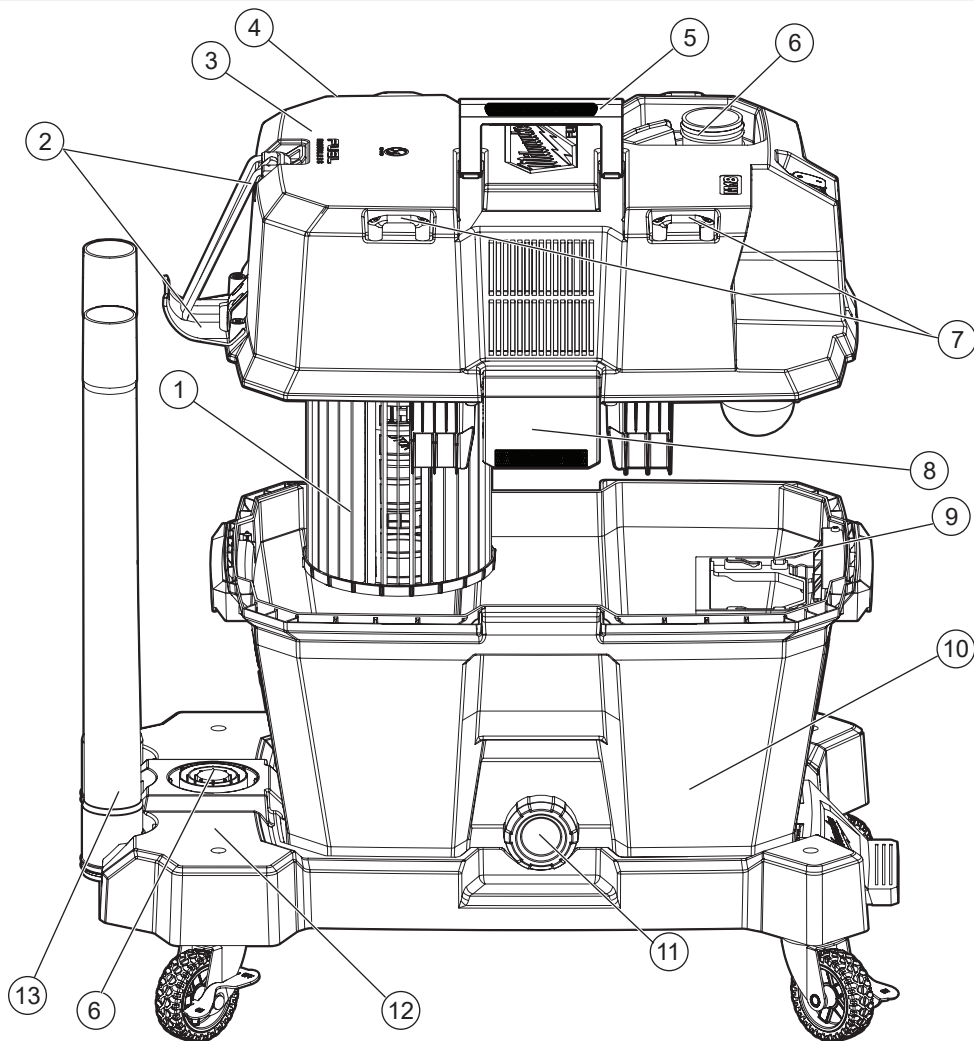
LEA Y CONSERVE TODAS LAS INSTRUCCIONES PARA CONSULTARLAS EN EL FUTURO

PARA USO DOMÉSTICO O COMERCIAL.

SIMBOLOGÍA

	Volts
	Corriente continua
	Leer el manual del operador
	Use protección para los ojos
	No paso
	Modo de potencia máxima
	Desactivado
	Modo de tiempo de ejecución máximo
	UL Listing Mark para Canadá y Estados Unidos

DESCRIPCION FUNCIONAL



1. Filtro de alta eficiencia (incluido con 0910-20 solamente)

2. Almacenamiento de manguera

3. Carcasa del motor

4. Puerto del soplador (no se muestra)

5. Mango

6. Áreas de almacenamiento de accesorios

7. Cintas de amarre con seguros

8. Pestillos del tanque (frontales y traseros)

9. Porta-bolsa para polvo

10. Aspiradora de residuos secos/húmedos tanque de 23 L (6 gal)

11. Tapa de drenaje del tanque

12. Carro de aspiradora de residuos secos/húmedos (0923-20)

13. Tubo de extensión

14. Interruptor

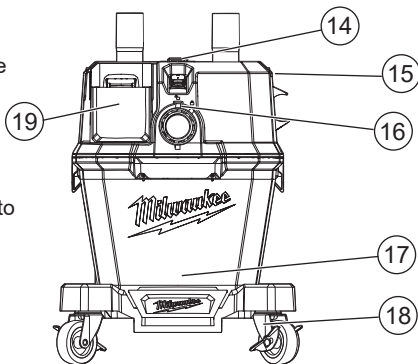
15. Gancho de almacenamiento de manguera

16. Entrada de la aspiradora

17. Pedal

18. Seguro de rueda

19. Compartimiento para baterías



ESPECIFICACIONES

Cat. No. 0910-20, 0911-20
Volts 18 CD
Tipo de batería M18™
Tipo de cargador M18™
Flujo de aire 41 litros por segundo
Succión 14 kPa
Capacitá* 23 L (6 gal)
Temperatura ambiente recomendada

para operar -18°C a 40°C (0°F a 104°F)

* Los galones mencionados indican el volumen del tambor, mas no necesariamente la capacidad de recolección. La capacidad actual depende del tipo de residuos aspirados, el estado de conservación del filtro, así como de otros factores. Aspiradora de residuos secos/húmedos tanque de 23 L (6 Gal) incluido con 0910-20 solamente.

ENSAMBLAJE

⚠ ADVERTENCIA Para reducir el riesgo de lesión, siempre retire las baterías antes de retirar el tanque.

⚠ ATENCIÓN Mantenga el filtro limpio. La eficacia de la aspiradora depende mucho del filtro. Un filtro sucio reducirá el flujo de aire y la eficacia general del sistema. Retirar del tanque y toque limpio.

⚠ ADVERTENCIA Recargue la batería sólo con el cargador especificado para ella. Para instrucciones específicas sobre cómo cargar, lea el manual del operador suministrado con su cargador y la batería.

Como se inserta/quita la batería en la herramienta

Para retirar la batería, presione los botones de liberación y jale de la batería para sacarla de la herramienta.

⚠ ADVERTENCIA Retire la batería cada vez que la herramienta no esté en uso.

Para introducir la batería, deslícela en el cuerpo de la herramienta. Asegúrese de que quede bien firme en su posición.

Retirar/instalar los filtros

Use el filtro de alta eficiencia únicamente para aspirar residuos secos. Utilice el filtro de espuma únicamente para aspirar residuos líquidos.

1. Extraiga la batería.
2. Libere los cierres del tanque y levante la carcasa del motor. Coloque boca abajo sobre una superficie plana.
3. Para retirar el filtro, gírelo media vuelta hacia la izquierda y sáquelo de la carcasa del motor/jaula de flotación.
4. Vacíe toda la basura del tanque.

AVISO Cuando corresponda, siga las directrices del sitio del trabajo que pertenecen al desecho de polvo de silicio.

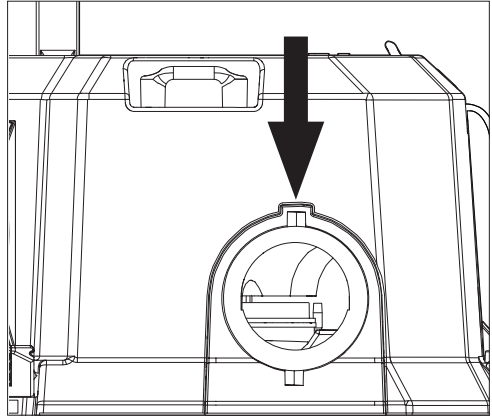
5. Para instalar el filtro, deslícelo por encima de la jaula de flotación. Alinee las pestañas del filtro con las muescas de la carcasa del motor y gírelo media vuelta hacia la derecha para fijarlo en su lugar.
6. Vuelva a colocar la carcasa del motor y fije ambos cierres.

⚠ ADVERTENCIA Para reducir el riesgo de lesiones, lleve lentes de seguridad con protectores laterales y máscara antipolvo cuando use la aspiradora como sopladora. Limpie completamente el tanque antes de usar la unidad.

Aspirador/soplador

La aspiradora puede usarse para aspirar desechos o como soplador, dependiendo el puerto que use.

1. Para aspirar los desechos, inserte el extremo grande de la manguera en el puerto de entrada de la carcasa del motor, alineando las pestañas en la manguera con las muescas del puerto. Gire para fijar y formar un ajuste firme.

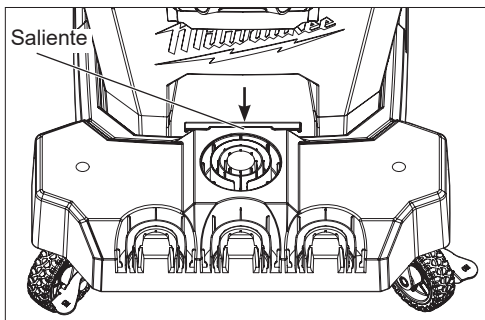


2. Para usar el soplador, inserte el extremo grande de la manguera en el puerto del soplador de la carcasa del motor, alineando las pestañas en la manguera con las muescas del puerto. Gire para fijar y formar un ajuste firme.

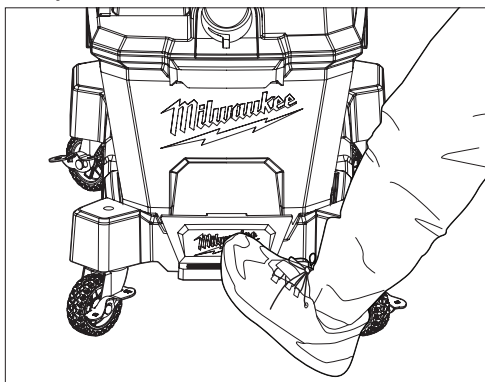
⚠ ADVERTENCIA Utilice únicamente accesorios específicamente recomendados para esta herramienta. El uso de accesorios no recomendados podría resultar peligroso.

Fijación / retiro del carrito de aspiradora de residuos secos/húmedos


1. Para fijarla, coloque la parte posterior de la aspiradora sobre el carrito mientras inclina el frente hacia arriba. La entrada de la aspiradora deberá orientarse hacia el frente del carrito donde se encuentra el pedal.
2. Deslice la parte posterior de la aspiradora debajo de la saliente.




3. Baje el frente de la aspiradora para que se alinee con el carrito y la saliente. Cuando el carrito se fije a presión, la aspiradora estará fija a él.
4. Para **quitarla**, ponga un pie sobre el pedal. Levante la aspiradora teniendo la empuñadura alejada del carrito.



Instalación / retiro de la manguera

Para **instalar** la manguera, alinee las marcas en la manguera con la entrada de la aspiradora. Empújela y gire hacia la posición de bloqueo  para fijarla en su lugar.

Para **quitar** la manguera, gírela hacia la posición de desbloqueo  y júlela para separarla de la entrada de la aspiradora.

Instalación/remoción de los accesorios

Para **instalar** las boquillas o extensiones, empuje el accesorio en la entrada de la aspiradora.

Para **quitar** el accesorio, júlelo para separarlo de la entrada de la aspiradora. Guarde los accesorios en el cabezal del motor o en las áreas de almacenamiento designadas en el carrito.

Instalación / retiro del adaptador de extracción de polvo

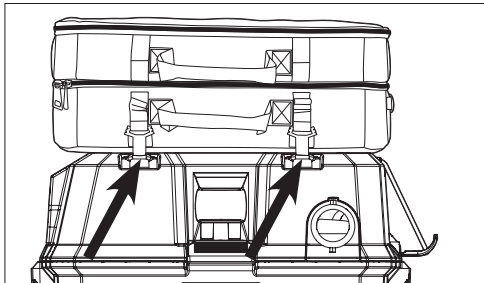
(Cat. No. 49-90-1980, no incluido)

El adaptador de manguera de extracción de polvo se utiliza para conectar la manguera a una herramienta eléctrica en lugar de otro dispositivo de extracción de polvo, como es el caso de una bolsa para polvo. Para **instalar** el adaptador, quite las boquillas y los accesorios del extremo de la manguera. Tuerza el adaptador en la manguera hasta que esté bien apretado, esto para tener un ajuste seguro. Para **quitarlo**, siga el procedimiento al revés.

Instalación / retiro de la bolsa de almacenamiento de accesorios

(Cat. No. 49-90-2019, no incluido)

1. Para **instalarla**, asegúrese de que la parte superior de la carcasa del motor esté despejada.
2. Coloque bolsa de almacenamiento de accesorios encima de la carcasa del motor, con el logotipo hacia arriba. Ubique los ganchos que se encuentran en la bolsa de almacenamiento de accesorios y fíjelos a las cintas de amarre con seguros que se encuentran en la carcasa del motor. **NOTA:** Hay 2 cintas de amarre con seguros en cada lado de la carcasa del motor, lo que representa un total de 4 cintas de amarre con seguros.



3. Para **quitarla**, desenganche la bolsa de almacenamiento de accesorios de la carcasa del motor y quítela.

OPERACIÓN

⚠ ADVERTENCIA Con el fin de minimizar el riesgo de lesiones, siempre utilice la protección de ojos adecuada indicada para cumplir con lo dispuesto en la norma ANSI Z87.1.

Al momento de realizar trabajos en situaciones donde haya presencia de polvo, utilice la protección respiratoria adecuada o utilice una solución de extracción de polvo que cumpla con los requisitos de la OSHA.

Para reducir el riesgo de incendio y lesiones, no use la herramienta para aspirar materiales inflamables ni combustibles.

Vacíe el tanque antes de usarlo.

Antes de usar, asegúrese de que el filtro y la jaula de flotación estén instalados correctamente. Quite el filtro seco antes de realizar operaciones de aspirado de residuos líquidos.

Encender y apagar la aspiradora

Para encender la aspiradora en modo **modo de potencia máxima**, presione el interruptor a la posición de Velocidad uno (I).

Para encender la aspiradora en modo **modo de potencia máxima**, presione el interruptor a la posición de Velocidad dos (II).

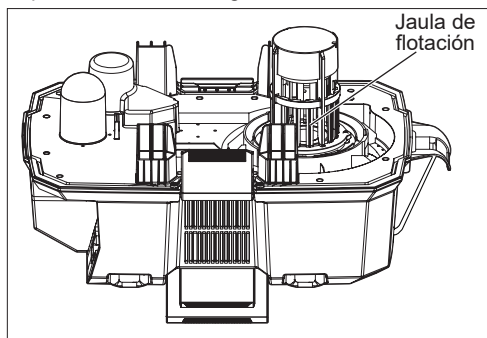
Para **apagar** la aspiradora, presione el interruptor a la posición de OFF (O).

¡ATENCIÓN! Si el flotador está limpio, se mueve libremente y la succión no se apaga cuando se llena el tanque, póngase en contacto con una instalación de servicio de MILWAUKEE para reparaciones. Un mal funcionamiento de la herramienta puede causar lesiones personales o daños a la propiedad.

Operación de aspirado en superficie húmeda

Para la operación de recogida en húmedo, se recomienda utilizar el filtro de espuma (paquete único, Cat. No. 49-90-2015).

1. Retire la batería.
2. Retire TODA la mugre y basura que encuentre en el tanque.
3. Quite el filtro de alta eficiencia e instale el filtro de espuma (consulte la sección "Retirar/instalar los filtros"). Asegúrese de que la jaula de flotación permanezca en su lugar.



4. Una jaula flotante desactiva la succión cuando el tanque está lleno. Asegúrese de que el flotador esté limpio y se mueva libremente en la jaula para verificar que la válvula de flotación funcione.
5. Inserte la batería.
6. Encienda la aspiradora y comience a aspirar.
7. Apague la aspiradora inmediatamente después de terminar un trabajo de aspirado de material húmedo o cuando el tanque esté lleno y listo para vaciarse. Si se apaga la succión, apague la aspiradora inmediatamente y vacíe el tanque.
8. Retire la batería.
9. Para vaciar el tanque, levante la manguera para drenar el exceso de líquido que quede en el tanque. No use la entrada de la aspiradora para drenar el líquido del interior de la aspiradora.
10. Retire la carcasa del motor y vacíe el desecho líquido en un drenaje apropiado.
11. Limpie el interior del tanque y accesorios de aspirado periódicamente; con mayor frecuencia cuando se utilice para aspirar materiales húmedos y pegajosos. Use agua tibia y jabonosa. No guarde la aspiradora si todavía tiene líquido en su interior.

Apagado de succión automático

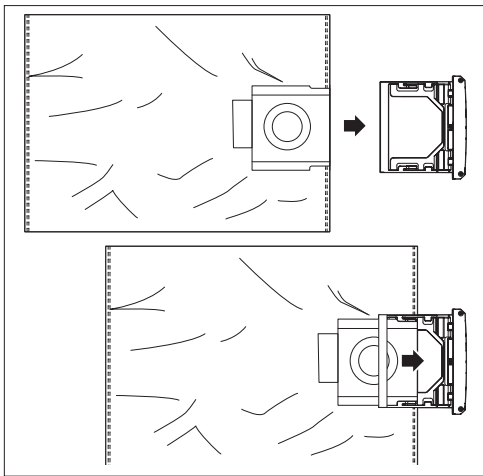
Cuando aspire líquidos, un flotador interno se eleva hasta que se aloja contra un sello en la entrada del motor, apagando la succión. Cuando esto sucede, el motor hará un ruido con un tono más alto que lo normal y se reducirá drásticamente la succión. Si esto ocurre, apague inmediatamente la aspiradora. No apagar la unidad después de que se eleva el flotador y se apaga la succión provocará un daño al motor.

AVISO Para seguir usando, vacíe el desecho líquido del tanque. Si la aspiradora se inclina accidentalmente, podría perder fuerza de succión. Apague la aspiradora y regrésela a la posición recta. El flotador regresará a su posición normal.

Instalación / retiro de la bolsa para polvo de lana

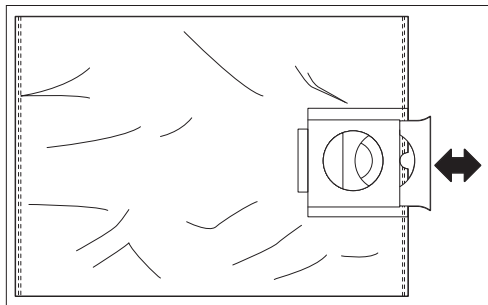
Para gozar de una vida útil más larga en su filtro y mayor facilidad de limpieza, utilice una bolsa para polvo de lana para levantar las partículas finas de polvo (paquete individual, Cat. No. 49-90-1979).

1. Para instalar, libere los pestillos del tanque y retire la carcasa del motor.
2. Levante el soporte de la bolsa para polvo y sáquelo para retirarlo del tanque.
3. Deslice la entrada de la bolsa para polvo de cartón dentro del soporte de bolsa para polvo.



4. Vuelva a colocar el soporte de la bolsa para polvo dentro de la ranura empujándolo hacia abajo para fijarlo en su lugar.
5. Extienda la bolsa para polvo al interior del tanque. Cambie la carcasa del motor y fije ambos pestillos.
6. Para quitarla, abra los pestillos del tanque y quite la carcasa del motor.
7. Levante el soporte de la bolsa para polvo y sáquelo para quitarlo del tanque.
8. Deslice el soporte de bolsa para polvo para sacarlo de la bolsa.
9. Jale la lengüeta de cartón hasta que la entrada de la bolsa para polvo esté cerrada. La bolsa para polvo ya estará sellada y podrá deshacerse de ella como se debe.

Cambie la bolsa para polvo de lana cuando esté completamente llena, la potencia de succión baja o la bolsa para polvo presente daños.



Almacenamiento

Antes de guardar la aspiradora, vacíe y limpie el tanque, el filtro y los accesorios. Extraiga la batería.

MANTENIMIENTO

ADVERTENCIA Para reducir el riesgo de una lesión, desconecte siempre la herramienta antes de darle cualquier mantenimiento. Nunca desarme la herramienta ni trate de hacer modificaciones en el sistema eléctrico de la misma. Acuda siempre a un Centro de Servicio MILWAUKEE para TODAS las reparaciones.

Nunca use la aspiradora si el tanque y/o los filtros no están instalados correctamente.

Mantenimiento de filtros

Mantenga el filtro limpio. Para limpiar el filtro, gire la tapa del filtro a la izquierda para liberarlo de la carcasa del motor / la jaula de flotación. Jale el filtro para separarlo de la aspiradora. Para vaciar los residuos, sosténgalo lejos de la cara del usuario y péguelo para limpiarlo. Podrá usar agua para limpiar el filtro. Si limpia filtros de alta eficiencia con agua, deje que el filtro se seque 24 horas antes de usarlo con aspiradora. Cambie el filtro si presenta daños o si hay una reducción en la potencia de succión (el filtro de alta eficiencia paquete único, Cat. No. 49-90-1977, 49-90-1978 o el filtro de espuma paquete único, Cat. No. 49-90-1990).

Mantenimiento de las herramientas

Adopte un programa regular de mantenimiento y mantenga su herramienta en buenas condiciones. Inspeccione la herramienta para problemas como ruidos indebidos, desalineadas o agarradas de partes móviles, piezas rotas o cualquier otra condición que pueda afectar el funcionamiento de la herramienta. Envíe su herramienta al Centro de Servicio MILWAUKEE para reparación. Después de 6 meses a un año, dependiendo del uso dado, envíe su herramienta al Centro de Servicio MILWAUKEE más cercano para la inspección.

Si la herramienta no arranca u opera a toda su potencia con una batería completamente cargada, limpie, con una goma o borrador, los contactos de la batería y de la herramienta. Si aun así la herramienta no trabaja correctamente, regrésela, con el cargador y la batería, a un centro de servicio MILWAUKEE.

ADVERTENCIA Para reducir el riesgo de lesiones, descarga eléctrica o daño a la herramienta, nunca la sumerja en líquidos ni permita que estos fluyan dentro de la misma.

Limpieza

Limpie el polvo y suciedad de las cualquier ventilas. Mantenga los herramienta, limpios, secos y libres de aceite o grasa. Use solo jabón neutro y un trapo húmedo para limpiar, ya que algunos substancias y solventes limpiadores son dañinos a los plásticos y partes aislantes. Algunos de estos incluyen: gasolina, turpentina, thinner, lacas, thinner para pinturas, solventes para limpieza con cloro, amoniaco y detergentes caseros que tengan amonia. Nunca usa solventes inflamables o combustibles cerca de una herramienta.

Reparaciones

Si su herramienta, batería o cargador están dañados, envíela al centro de servicio autorizado más cercano.

ACCESORIOS

ADVERTENCIA Utilice sólo los accesorios específicamente recomendados. Otros accesorios puede ser peligroso.

Para una lista completa de accesorios, visite nuestro sitio en Internet: www.milwaukeetool.com o póngase en contacto con un distribuidor.

Compatible con la aspiradora de residuos secos/húmedos 0910-20	
0912-20	Aspiradora de residuos secos/húmedos tanque de 34 L (9 gal)
0932-20	Aspiradora de residuos secos/húmedos tanque de 45 L (12 gal)
0931-20	Cabezal de motor de vacío húmedo/seco de 6,5 HP pico
0921-20	Cabezal de motor con batería doble de la aspiradora de residuos secos/húmedos M18 FUEL™
0933-20	Carro de aspiradora de residuos secos/húmedos premium
49-90-1980	Adaptador de extracción de polvo

SOPORTE DE SERVICIO - MEXICO

CENTRO DE ATENCION A CLIENTES

Techtronic Industries Mexico, S.A. de C.V.

Av. Presidente Masarik 29 Piso 7

11560 Polanco V Seccion

Miguel Hidalgo, Distrito Federal, México

01 (800) 030-7777 o (55) 4160-3540

Lunes a Viernes (9am a 6pm)

O contáctanos en www.milwaukeetool.com.mx

GARANTÍA LIMITADA - E.U.A. Y CANADÁ

Esta herramienta eléctrica de MILWAUKEE* está garantizada, ante el comprador original únicamente, por parte de un distribuidor autorizado MILWAUKEE, de que no tenga material y mano de obra defectuosos. Sujeto a ciertas excepciones, MILWAUKEE reparará o sustituirá cualquier pieza de esta herramienta eléctrica que tenga defectos de material o mano de obra según lo determine MILWAUKEE mediante una revisión, por un periodo de cinco (5) años después de la fecha de compra a menos que se indique lo contrario. Al devolver la herramienta eléctrica a un centro de servicio de fábrica de MILWAUKEE o a una estación de servicio autorizada de MILWAUKEE, es necesario que la devolución se haga con flete pagado por adelantado y asegurado. Se debe incluir una copia del comprobante de compra con el producto devuelto. Esta garantía no aplica a daños que MILWAUKEE determine que son ocasionados por reparaciones o intentos de reparaciones realizados por una persona que no sea personal autorizado de MILWAUKEE, uso indebido, alteraciones, maltrato, desgaste normal, falta de mantenimiento o accidentes.

Desgaste normal: Muchas herramientas eléctricas necesitan cambios de piezas y mantenimiento periódicos para alcanzar su máximo rendimiento. Esta garantía no cubre la reparación cuando el uso normal ha agotado la vida útil de una pieza, incluyendo, entre otros, mandriles, cepillos, cables, zapatas de la sierra, abrazaderas de la hoja, juntas tóricas, sellos, protectores, hojas de accionamiento, pistones, herrajes, levatatadores y arandelas de cubierta de los protectores.

*La presente garantía no cubre ni las baterías ni todas las herramientas eléctricas. Consulte las distintas garantías independientes que están disponibles para estos productos.

La vigencia de la garantía de la luz LED en la lámpara LED de trabajo (49-24-0171) y el foco mejorado de LED (49-81-0090) es la misma que la vida útil del producto sujeto a las limitaciones anteriores. Si la luz LED o el foco mejorado LED presentan fallas durante su uso normal, se cambiará la pieza sin costo.

No es necesario realizar el registro de la garantía para recibir la garantía correspondiente a un producto de herramienta eléctrica de MILWAUKEE. La fecha de fabricación del producto servirá para determinar la vigencia de la garantía en caso de que no presente ningún comprobante de compra al solicitar el servicio en garantía.

LA ACEPTACIÓN DE LOS RESARCIMIENTOS EXCLUSIVOS DE REPARACIÓN Y SUSTITUCIÓN AQUÍ DESCRITOS ES UNA CONDICIÓN DEL CONTRATO EN CUANTO A LA COMPRA DE TODO PRODUCTO DE MILWAUKEE. SI USTED NO ACEPTA ESTA CONDICIÓN, NO DEBE COMPRAR EL PRODUCTO. MILWAUKEE NO SERÁ RESPONSABLE EN NINGÚN CASO DE DAÑOS INCIDENTALES, ESPECIALES, EMERGENTES O PUNITIVOS NI DE NINGÚN COSTO, HONORARIOS DE ABOGADOS, GASTOS, PÉRDIDAS O DEMORAS QUE SUPUESTAMENTE SEAN CONSECUENCIA DE ALGÚN DAÑO, FALLA O DEFECTO DE ALGUNO DE LOS PRODUCTOS, INCLUYENDO, ENTRE OTROS, RECLAMACIONES POR PÉRDIDA DE UTILIDADES. ALGUNOS ESTADOS NO PERMITEN LA EXCLUSIÓN O LIMITACIÓN DE RESPONSABILIDAD POR DAÑOS INCIDENTALES O EMERGENTES, POR LO QUE LA ANTERIOR LIMITACIÓN O EXCLUSIÓN PODRÍA NO APLICARSE EN SU CASO. ESTA GARANTÍA ES EXCLUSIVA Y SUSTITUYE TODAS LAS DEMÁS GARANTÍAS EXPRESAS, SEAN ESTAS ESCRITAS U ORALES, HASTA DONDE PERMITA LA LEY, MILWAUKEE DESCONOCE CUALQUIER GARANTÍA IMPLÍCITA, INCLUYENDO, SIN LIMITACIÓN, CUALQUIER GARANTÍA IMPLÍCITA DE COMERCIABILIDAD O IDONEIDAD PARA UN FIN O USO ESPECÍFICO; HASTA EN QUE DICHO DESCONOCIMIENTO NO SEA PERMITIDO POR LA LEY, DICHAS GARANTÍAS IMPLÍCITAS SE LIMITAN A LA DURACIÓN DE

LA GARANTÍA EXPRESA CORRESPONDIENTE SEGÚN LO ARRIBA DESCRITO. ALGUNOS ESTADOS NO PERMITEN LIMITACIONES EN LA VIGENCIA DE UNA GARANTÍA IMPLÍCITA, POR LO QUE LA ANTERIOR LIMITACIÓN PUDIERA NO APLICAR A USTED, ESTA GARANTÍA LE CONFIERE DERECHOS JURÍDICOS ESPECÍFICOS Y USTED PODRÍA, ADEMÁS, TENER OTROS DERECHOS QUE VARIAN SEGÚN EL ESTADO.

Esta garantía aplica únicamente a los productos vendidos en EE. UU. y Canadá.

Consulte la pestaña "Búsqueda de centro de servicio" en la sección de Partes y servicio del sitio web de MILWAUKEE en www.milwaukeetool.com o llame al 1.800.SAWDUST (1.800.729.3878) para localizar su centro de servicio más cercano para darle servicio, con y sin garantía, a una herramienta de MILWAUKEE.

PÓLIZA DE GARANTÍA - VALIDA SOLO PARA MEXICO, AMÉRICA CENTRAL Y EL CARIBE

La garantía de TECHTRONIC INDUSTRIES es por 5 años a partir de la fecha original de compra.

Esta tarjeta de garantía cubre cualquier defecto de material y mano de obra en ese Producto.

Para hacer válida esta garantía, presente esta tarjeta de garantía, cerrada/sellada por el distribuidor o la tienda donde compró el producto, al Centro de Servicio Autorizado (ASC). O, si esta tarjeta no se ha cerrado/sellado, presente la prueba original de compra a ASC. Llame 55 4160-3547 para encontrar el ASC más cercano, para servicio, partes, accesorios o componentes.

Procedimiento para hacer válida esta garantía

Lleve el producto a ASC, junto con la tarjeta de garantía cerrada/sellada por el distribuidor o la tienda donde compró el producto, y cualquier pieza o componente defectuoso se reemplazará sin costo para usted. Cubriremos todos los costos de flete con relación a este proceso de garantía

Excepciones

Esta garantía no tendrá validez en las siguientes situaciones:

- Cuando el producto se use de manera distinta a la que indica el manual del usuario final o de instrucciones.
- Cuando las condiciones de uso no sean normales.
- Cuando otras personas no autorizadas por TECHTRONIC INDUSTRIES modifiquen o reparen el producto.

Nota: si el juego de cables está dañado, tiene que reemplazarse en un Centro de Servicio Autorizado para evitar riesgos eléctricos.

CENTRO DE SERVICIO Y ATENCIÓN

Llame al 55 4160-3547

IMPORTADO Y COMERCIALIZADO POR
TECHTRONIC INDUSTRIES, MÉXICO, S.A. DE C.V.
Miguel de Cervantes Saavedra No.301 Piso 5, Torre Norte
11520 Colonia Ampliación Granada
Miguel Hidalgo, Ciudad de Mexico, Mexico

Modelo: _____

Fecha de Compra: _____

Sello del Distribuidor: _____

MILWAUKEE TOOL
13135 West Lisbon Road
Brookfield, WI 53005 USA