



# SERVICE PARTS LIST

**BULLETIN NO.**  
**54-05-0091**

SPECIFY CATALOG NO. AND SERIAL NO. WHEN ORDERING PARTS		REVISED BULLETIN 54-05-0090	DATE Oct. 2020
<b>CORDLESS 18 VOLT VACUUM CLEANER</b>		WIRING INSTRUCTION <b>58-01-1195</b>	
CATALOG NO. <b>0880-20</b>	STARTING SERIAL NO. <b>B34B</b>		

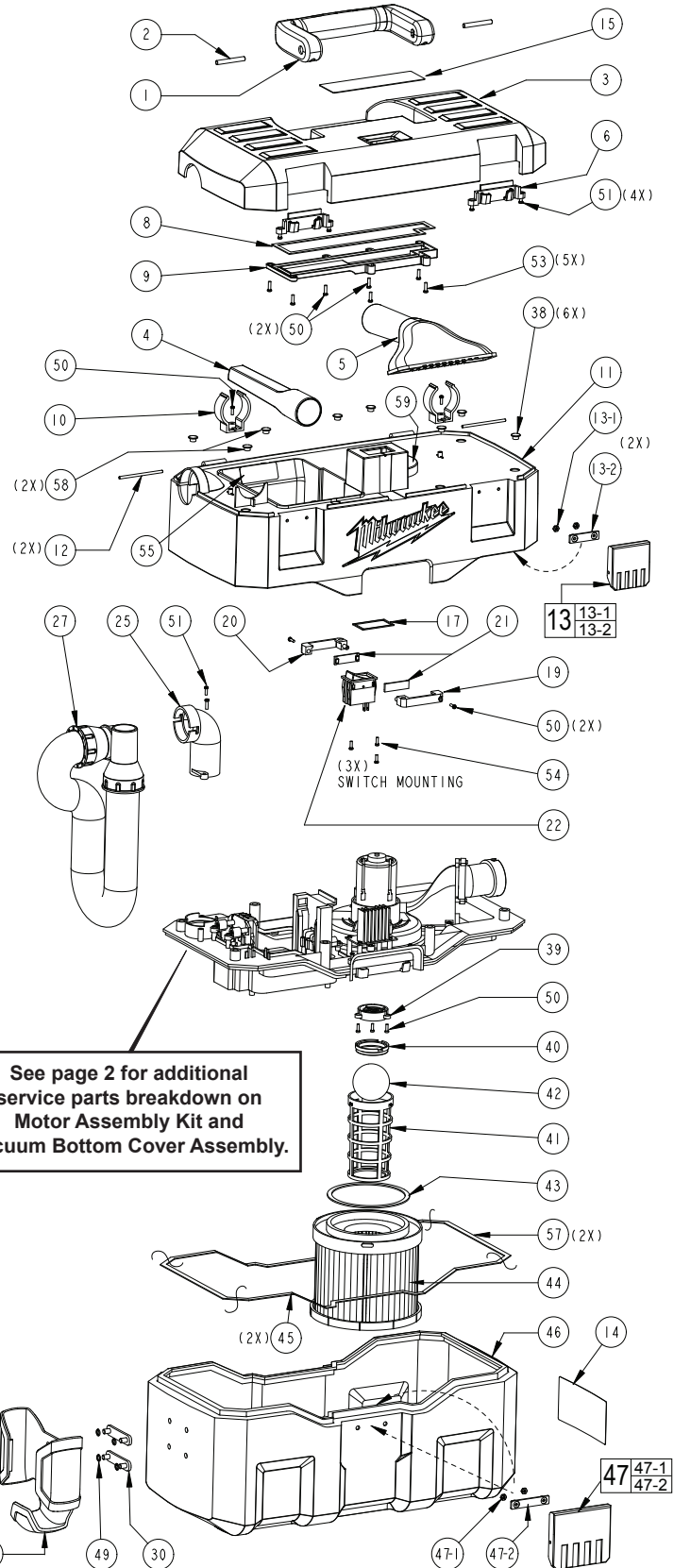
**EXAMPLE:**  
00 0 Component Parts (Small #) Are Included  
When Ordering The Assembly (Large #).

**NOTE:**  
Model 0880-20 serial break "B" has two designs. If the hose is stowed on the outside of the product, refer to pages 1-2. If the hose can be stowed inside the product, refer to page 3.

**NOTE:**  
Filters are meant for dry applications only. Before cleaning the filter, check the safety icon to determine if your filter can be cleaned with water or not.

★ = Part number change from previous service parts list.

FIG.	PART NO.	DESCRIPTION OF PART	NO. REQ.
1	14-34-0020	Handle Set	(1)
2	06-65-1260	Handle Pin	(2)
★ 3	31-15-0671	Top Cover	(1)
4	31-01-2100	Straight Nozzle	(1)
5	31-01-2110	Wide Nozzle	(1)
6	42-36-2180	Latch Bracket	(2)
8	43-44-1275	Handle Cover Gasket	(1)
★ 9	42-92-1546	Handle Cover	(1)
10	42-70-0170	Nozzle Clip	(2)
11	31-01-2115	Vacuum Top Housing	(1)
12	44-50-0210	Hinge Pin	(2)
13	14-46-0010	Top Latch Kit	(2)
13-1	-----	M3 Nut	(4)
13-2	-----	Latch Bracket	(2)
14	10-15-1605	Warning Label	(1)
15	12-20-2000	Service Nameplate	(1)
17	43-44-1280	Switch Gasket	(1)
19	44-86-0385	Switch Retainer	(1)
20	44-86-0390	Switch Retainer	(1)
21	44-52-0875	Switch Pad	(1)
22	23-66-2790	Switch	(1)
25	42-90-0375	Crooked Pipe	(1)
27	14-37-0160	Hose Assembly	(1)
28	42-92-1540	Hose Wrap Cover	(1)
29	43-72-0630	Hose Wrap	(1)
30	31-10-0160	Mounting Bracket	(2)
38	31-53-0250	Plug	(8)
39	31-01-2125	Filter Seesaw	(1)
40	45-06-0860	Filter Seal	(1)
41	42-46-0260	Filter Core	(1)
42	42-46-0265	Filter Ball	(1)
43	43-44-1295	Filter Gasket	(1)
44	49-90-1900	Filter Assembly	(1)
45	43-44-1270	Bottom Gasket	(2)
46	31-01-2130	Vacuum Bottom	(1)
47	14-46-0013	Bottom Latch Kit	(2)
47-1	-----	M3 Nut	(4)
47-2	-----	Latch Bracket	(2)
49	06-97-0455	Sealing Washer	(4)
50	05-78-0820	2.6 x 8 Screw	(9)
51	05-81-0555	3 x 10 Screw	(6)
53	05-78-0830	2.6 x 10 Screw	(5)
54	-----	2.6 x 8 Washer Head Screw	(3)
55	10-15-1616	Battery Label	(1)
56	05-78-0835	3.5 x 10 Screw	(4)
57	43-44-1271	Gasket	(2)
58	31-53-0255	Plug A	(2)
59	10-15-1618	Logo Label	(1)



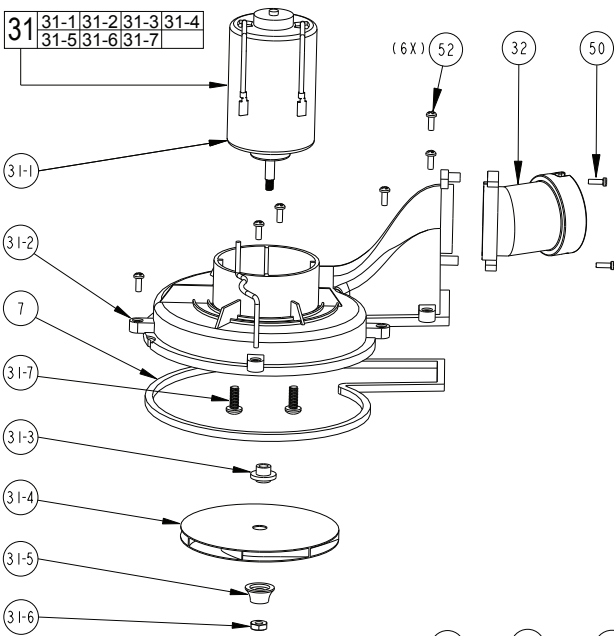


FIG.	PART NO.	DESCRIPTION OF PART	NO. REQ.
7	43-44-1300	Fan Gasket	(1)
31	23-30-0545	Motor Assembly Kit	(1)
31-1	-----	18 V Motor	(1)
31-2	-----	Motor Housing	(1)
31-3	-----	Motor Hub Top	(1)
31-4	-----	Fan Wheel	(1)
31-5	-----	Motor Bottom Mat	(1)
31-6	-----	Motor Nut	(1)
31-7	-----	M5 x 12 Screw	(2)
32	45-76-0620	Connector Pipe Tube	(1)
50	05-78-0820	2.6 x 8 Screw	(2)
52	05-78-0825	3 x 8 Screw	(6)

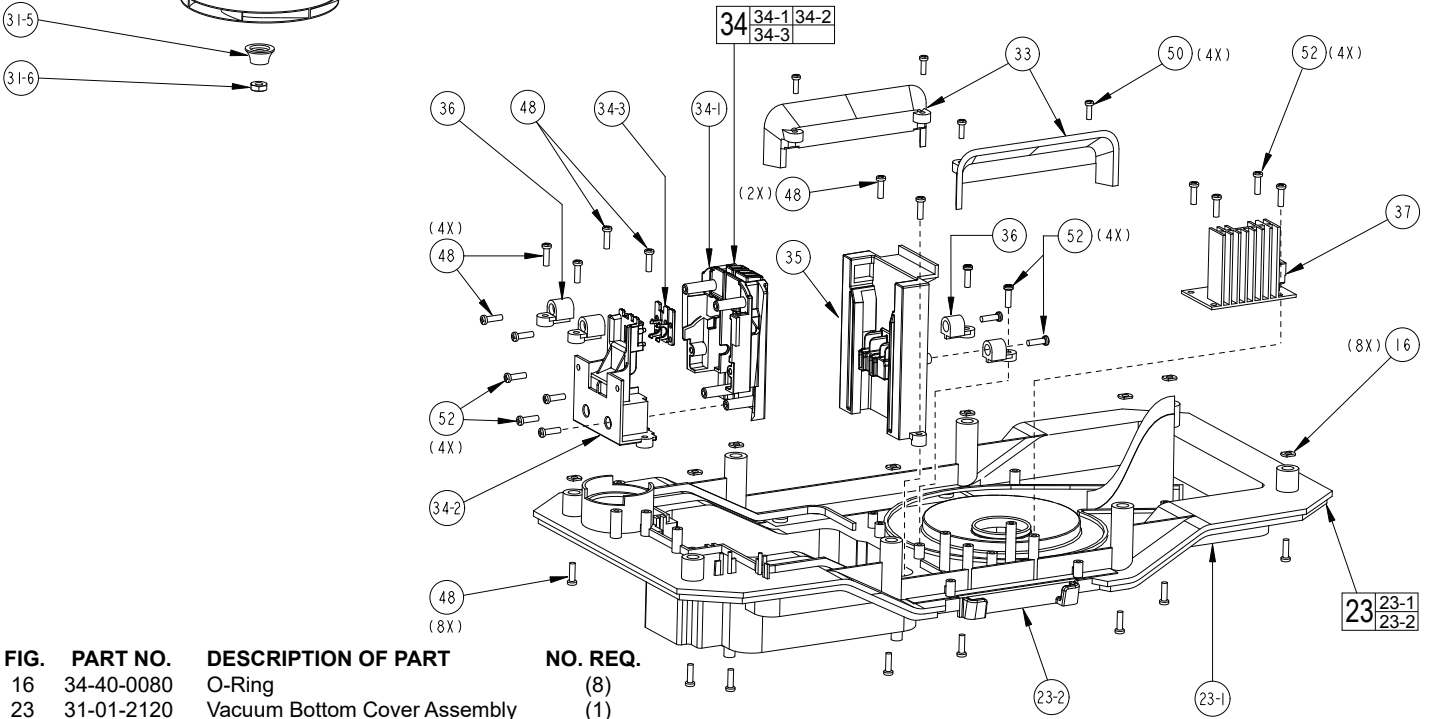
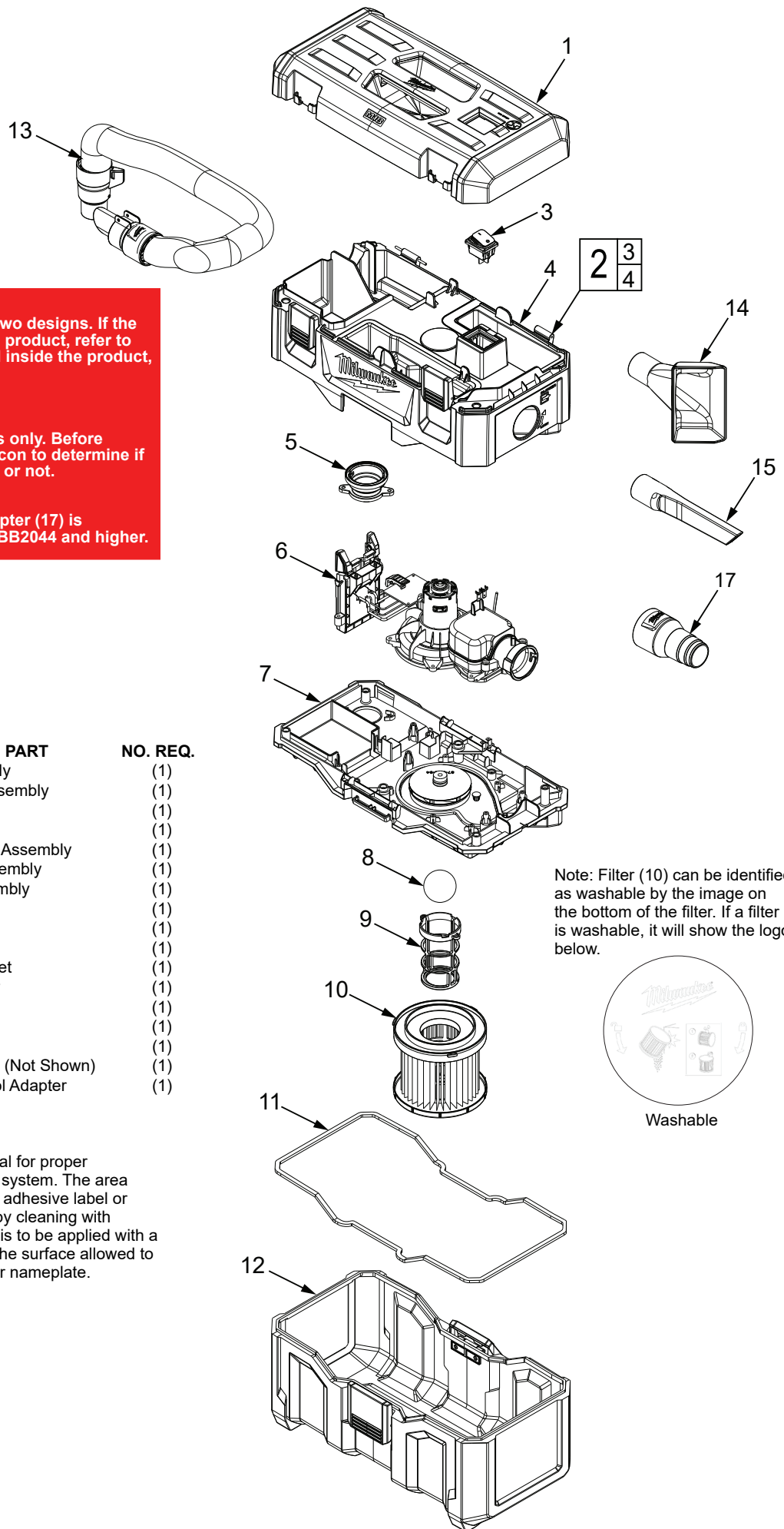


FIG.	PART NO.	DESCRIPTION OF PART	NO. REQ.
16	34-40-0080	O-Ring	(8)
23	31-01-2120	Vacuum Bottom Cover Assembly	(1)
23-1	-----	Vacuum Bottom Cover	(1)
23-2	-----	Hook Latch	(2)
33	31-76-0050	Latch Shroud	(2)
34	14-20-3185	Terminal Block Assembly w/o wires	(1)
34-1	-----	V18 Connector Block	(1)
34-2	-----	V18 Support Terminal	(1)
34-3	-----	Terminal Clip	(1)
35	14-20-3190	Terminal Block Assembly w/o wires	(1)
36	42-36-2185	Mounting Bracket	(4)
37	22-09-1710	PCB Board Assembly	(1)
48	05-81-0560	3 x 12 Screw	(16)
50	05-78-0820	2.6 x 8 Screw	(4)
52	05-78-0825	3 x 8 Screw	(12)



**NOTE:**  
Model 0880-20 serial break "B" has two designs. If the hose is stowed on the outside of the product, refer to pages 1-2. If the hose can be stowed inside the product, refer to page 3.

**NOTE:**  
Filters are meant for dry applications only. Before cleaning the filter, check the safety icon to determine if your filter can be cleaned with water or not.

**NOTE:**  
49-90-2018 Vacuum Power Tool Adapter (17) is compatible with serial numbers B34BB2044 and higher.

FIG.	PART NO.	DESCRIPTION OF PART	NO. REQ.
	1	14-38-0011 Top Cover Assembly	(1)
	2	14-38-0012 Middle Housing Assembly	(1)
	3	23-66-0011 Switch	(1)
	4	----- Middle Housing	(1)
	5	45-76-0030 Air Inlet Connector Assembly	(1)
	6	14-30-0303 Motor & PCBA Assembly	(1)
	7	14-38-0013 Bottom Base Assembly	(1)
	8	42-46-7015 Ball	(1)
	9	42-46-7020 Ball Cage	(1)
	10	49-90-1900 Filter	(1)
	11	43-44-0020 Bottom Base Gasket	(1)
	12	14-38-0014 Dirt Tank Assembly	(1)
	13	14-37-0105 Hose Assembly	(1)
	14	31-01-0875 Utility Tool	(1)
	15	31-01-0855 Crevice Tool	(1)
	16	12-20-0112 Service Nameplate (Not Shown)	(1)
	17	49-90-2018 Vacuum Power Tool Adapter	(1)

**FIG. 16 NOTES**  
A clean, dry surface is essential for proper performance for any adhesive system. The area intended for application of any adhesive label or nameplate must be prepared by cleaning with isopropyl alcohol. The solvent is to be applied with a clean, lint free applicator and the surface allowed to dry before applying the label or nameplate.

Note: Filter (10) can be identified as washable by the image on the bottom of the filter. If a filter is washable, it will show the logo below.

