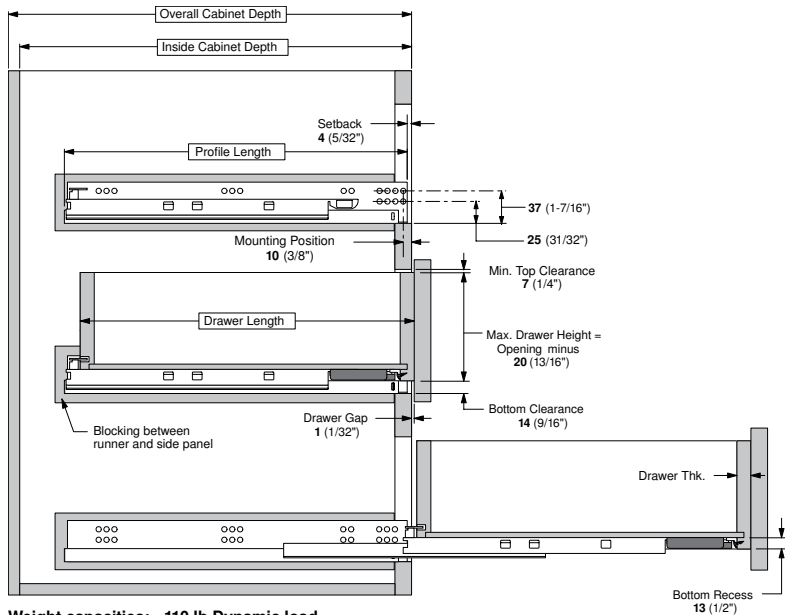


Cabinet & Drawer Specifications

Frame cabinet applications



Weight capacities: 110 lb Dynamic load
125 lb Static load

Runner	Overall Cabinet Depth	Minimum Inside Cabinet Depth	Drawer Length	Max. Drawer Thk.	Profile Length
568F5330B	610 (24")	553 (21-3/4")	533 (21")	19 (3/4")	546 (21-1/2")
568F4570B	533 (21")	477 (18-3/4")	457 (18")		470 (18-1/2")

T51.1700.04R Locking device (right)
T51.1700.04L Locking device (left)

612TH Installation screw (for locking devices and rear mounting brackets)
707N Installation screw (for mounting runner to cabinet side)

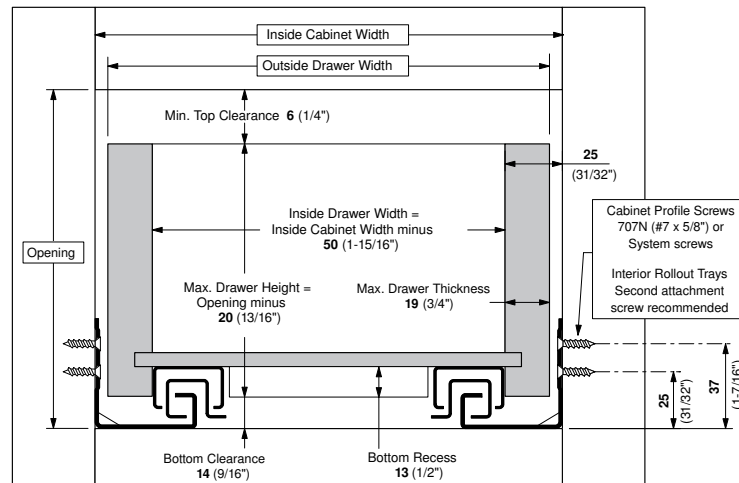
All dimensions in millimeters. (Inch equivalents as noted)

Subject to technical modifications without notice. Copyright 2009

Drawer Size & Mounting Positions

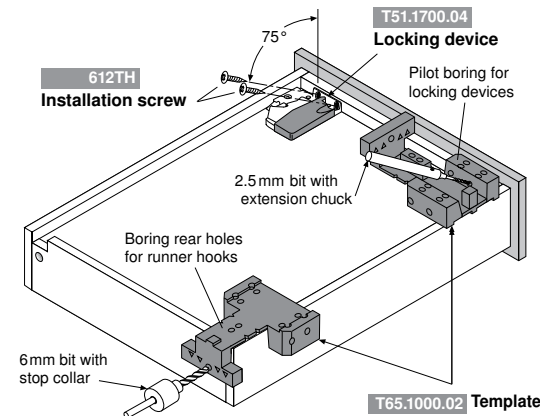
For Frame and Panel cabinet applications

Calculating outside drawer width					
For drawer side thickness	19 (3/4")	18 (23/32")	17 (21/32")	16 (5/8")	15 (19/32")
Deduct from inside cabinet width	11 (7/16")	13 (15/32")	14 (9/16")	17 (21/32")	19 (3/4")
Example: For 21" inside cabinet width and a 3/4" thick drawer, 21" minus 7/16" = 20-9/16" drawer width					



Important: Because material thickness may vary, the inside drawer width must equal interior cabinet width minus 50 (1-15/16") for TANDEM to align and run properly.

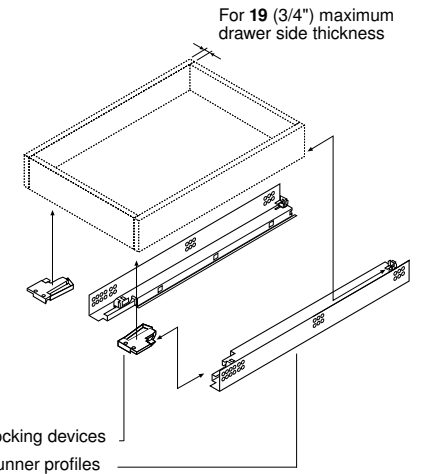
Preparing drawer for hardware installation



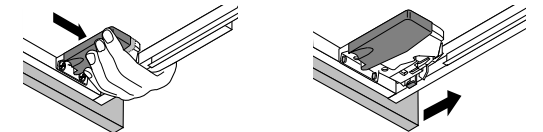
Important: Use of the T65.1000.02 template is recommended for accurate location and angle of locking device pilot holes.

Installation Instructions TANDEM Plus 568F Series

Full extension heavy duty drawer runners



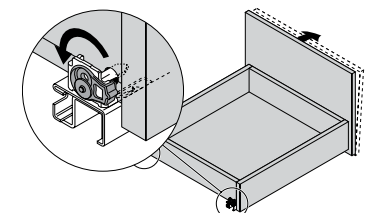
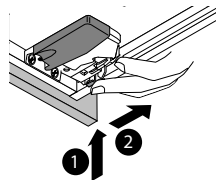
Drawer removal and installation



- Squeeze orange handles on locking devices
 - Pull drawer straight out and up
- Place drawer on runners and close, locking devices will automatically engage runners

Height and Tilt adjustment

- Press up on adjustment tab.
- Push towards back of drawer. Height adjustable +3 (1/8")



Rotate the tilt adjustment lever on the rear of each runner profile to tilt the top of the drawer front forward. Tool free tilt adjustment +5 mm.

INST-TDM568FB LIT.4035.11.09

Subject to technical modifications without notice. Copyright 2009
INDR 643.727.0 MA-194/0EN
BAU0006161358 IDX:00

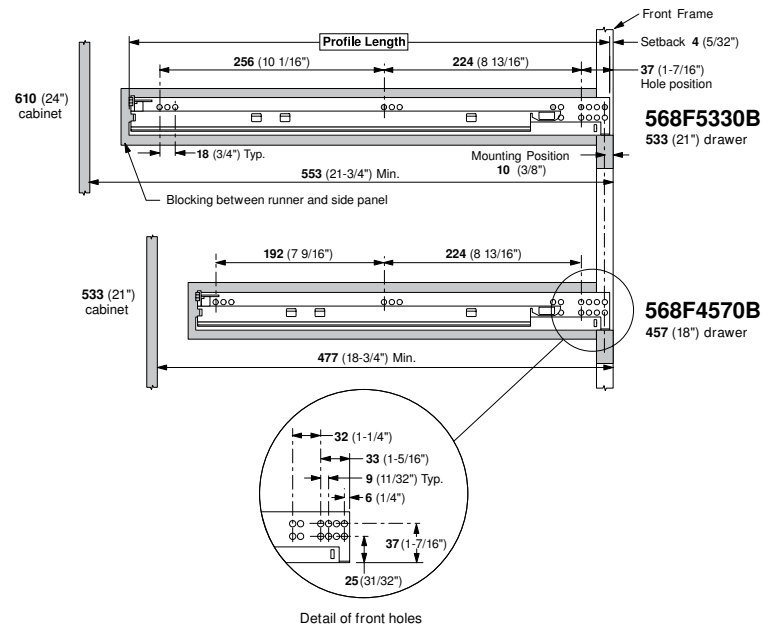


TANDEM Plus 568F Cabinet Profile Specifications

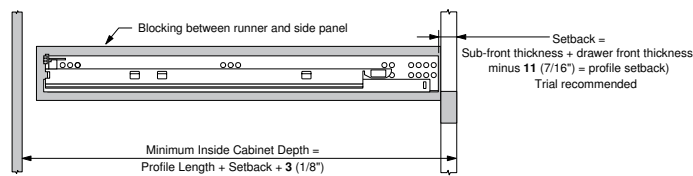
Frame cabinet applications

NOTE: For heavy duty applications, rear brackets and sockets cannot be used. Cabinet sides must be blocked out flush with the inside of the frame.

NOTE: Grey dots indicate screw locations required to meet specified load capacities (minimum 5 screws)

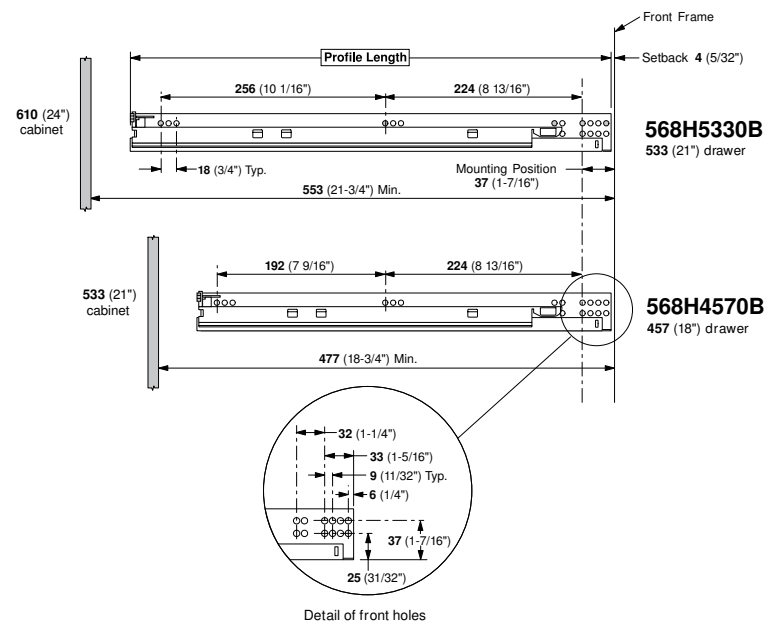


Inset drawer front applications

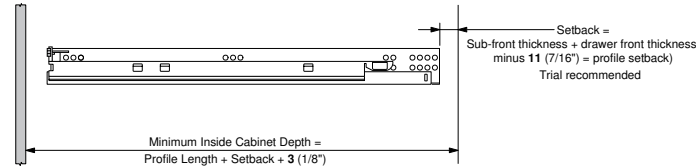


Panel cabinet applications

NOTE: Grey dots indicate screw locations required to meet specified load capacities (minimum 5 screws)

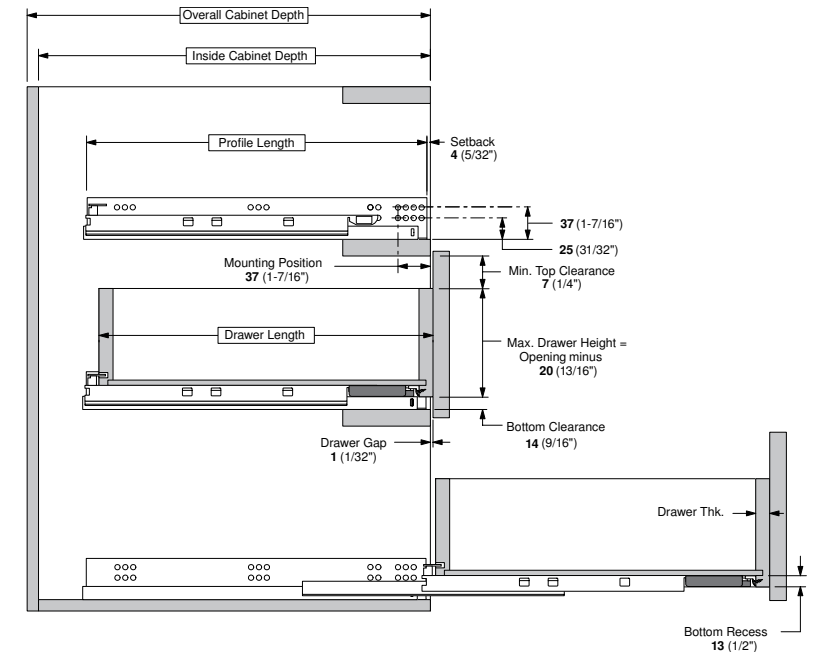


Inset drawer front applications



Cabinet & Drawer Specifications

Panel cabinet applications



Runner	Overall Cabinet Depth	Minimum Inside Cabinet Depth	Drawer Length	Max. Drawer Thk.	Profile Length
568F5330B	610 (24")	553 (21-3/4")	533 (21")	19 (3/4")	546 (21-1/2")
568F4570B	533 (21")	477 (18-3/4")	457 (18")		470 (18-1/2")

T51.1700.04R Locking device (right)
T51.1700.04L Locking device (left)

612TH Installation screw (for locking devices and rear mounting brackets)
707N Installation screw (for mounting runner to cabinet side)

Millimeter to inch equivalents

1	1.5	2	3	4	5	5.5	6	7	8	9	9.5	10	11	12	13	13.5	14	15	16	17	17.5	18	19	20	20.5	21	22	23	24	24.5	25.4
1/32	1/16	3/32	1/8	5/32	3/16	7/32	1/4	9/32	5/16	11/32	3/8	13/32	7/16	15/32	1/2	17/32	9/16	19/32	5/8	21/32	11/16	23/32	3/4	25/32	13/16	27/32	7/8	29/32	15/16	31/32	1

All dimensions in millimeters. (Inch equivalents as noted)

Subject to technical modifications without notice. Copyright 2009

