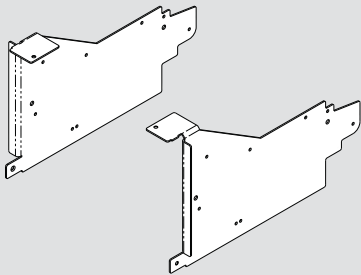


AVENTOS HL — Face frame corner cabinet Appliance garage bracket

HL bracket set



- Brackets for mounting AVENTOS HL in a face frame corner appliance garage application
- Minimum frame offset **12.5** (1/2")
- Provides accurate positioning of AVENTOS HL lift system in cabinet

Set includes:

- Right and left brackets
- M4 x 30 mm lift mechanism machine screws (qty 12)

Part no.

Bracket set

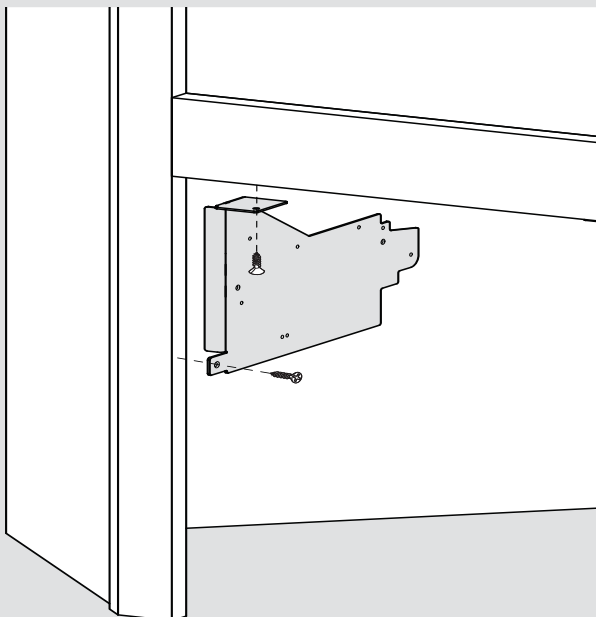
20L7001

Installation screw

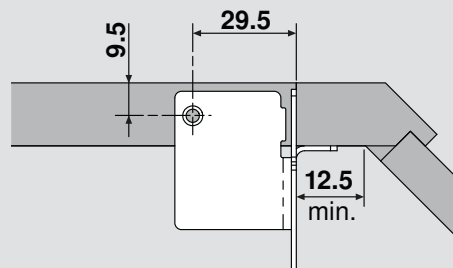
7074N

Bracket installation

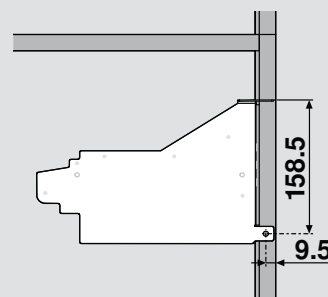
Attach each bracket to the top and side of the face frame opening with two #7 x 3/4" (7074N) wood screws.



Top mounting screw position



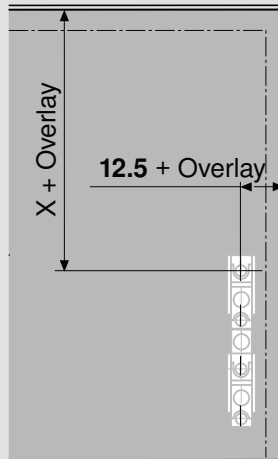
Side mounting screw position





Arm assembly mounting plate location

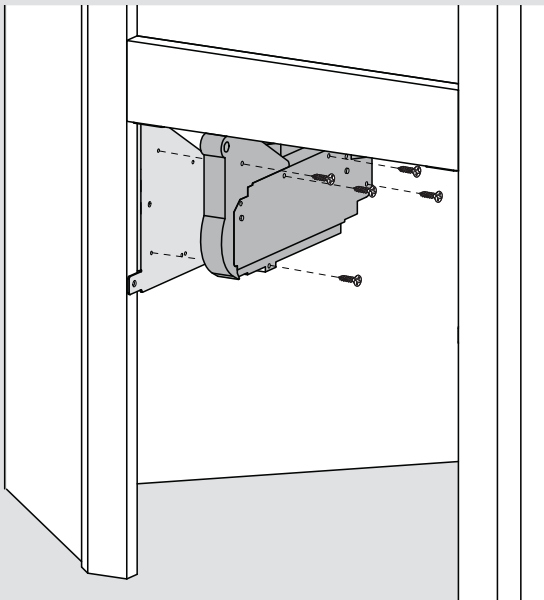
Attach mounting plate with four screws provided



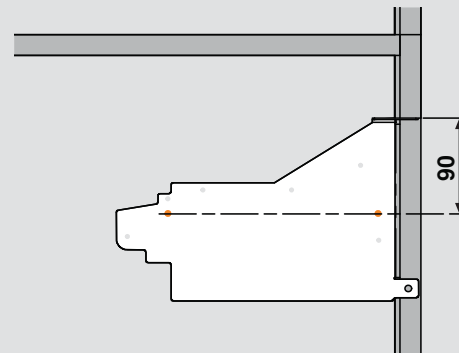
Arm assembly	X	NOTE: Position is 2 mm lower than a standard 20L3900.05 application
20L3900.05	305	

Lift mechanism attachment

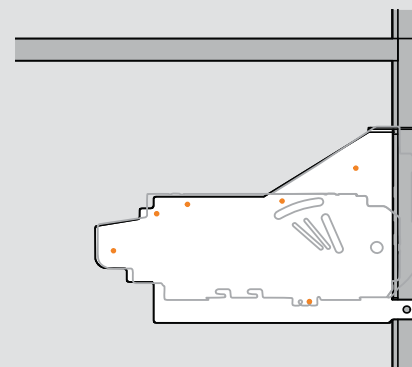
Attach each lift mechanism to the brackets with six M4 x 30 mm machine screws (included).



Locating pin locations



Machine screw locations



NOTE: Locations marked in orange