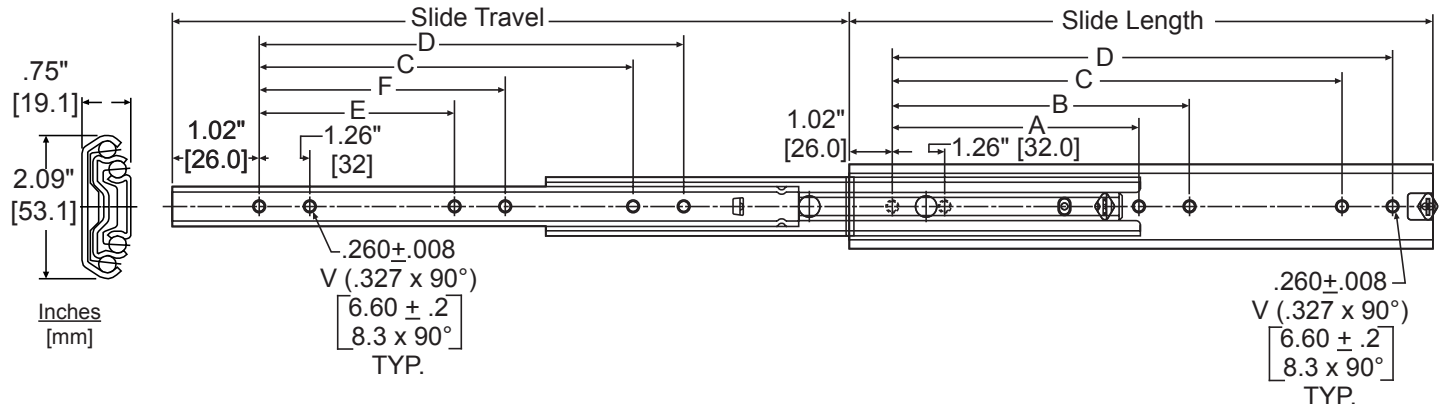


APPLICATIONS: Ideal for environments subject to corrosion.

Stainless Steel
Over Travel
Detent-In
Up to 352 lb. [160 kg.] Load Rating*
3/4" Slide Thickness



- Finish:** Stainless steel (RoHS compliant)
- Lengths:** 12"–24" [300 mm–600 mm], 28" [700 mm], and 31" [790 mm].**
- Travel:** Over Travel
- Height:** 2.09" [53.1 mm]
- Load Rating:** Up to 352 lbs. [160 kg]*
- Side Space:** .75+.030/-0.000 [19.1 mm+.76/-0.00]
- Mounting:** Side or hard mount
- Hardware:** Use #10 [5 mm] flat head or 6 mm Euro screw (Not included)
- Features:** Hold-in detent

Part Number	Slide Length	Travel	A	B	C	D	E	F	Load [kg]*
SS5321-12	11.81 [300]	12.74 [323.5]			7.56 [192]	8.82 [224]			264 [120]
SS5321-14	13.78 [350]	14.70 [373.5]			8.82 [224]	10.08 [256]			286 [130]
SS5321-16	15.75 [400]	16.67 [423.5]	6.30 [160]	7.56 [192]	11.34 [288]	12.60 [320]	5.04 [128]	6.30 [160]	308 [140]
SS5321-18	17.72 [450]	18.64 [473.5]	6.30 [160]	7.56 [192]	12.60 [320]	13.86 [352]	5.04 [128]	6.30 [160]	330 [150]
SS5321-20	19.68 [500]	20.61 [523.5]	7.56 [192]	8.82 [224]	15.12 [384]	16.38 [416]	6.30 [160]	7.56 [192]	352 [160]
SS5321-22	21.65 [550]	22.58 [573.5]	7.55 [192]	8.82 [224]	16.38 [416]	17.64 [448]	6.30 [160]	7.56 [192]	330 [150]
SS5321-24	23.62 [600]	24.55 [623.5]	10.08 [256]	11.34 [288]	18.90 [480]	20.16 [512]	7.56 [192]	10.08 [256]	286 [130]
SS5321-28	27.56 [700]	28.48 [723.5]	11.34 [288]	12.60 [320]	22.68 [576]	23.94 [608]	10.08 [256]	11.34 [288]	242 [110]
SS5321-31	31.10 [790]	31.63 [803.5]	13.86 [352]	15.12 [384]	26.46 [672]	27.72 [704]	12.60 [320]	13.86 [352]	220 [100]

* Load rating based on 18" slides in an 18" wide drawer cycled 80,000 times. For maximum load rating, use all mounting holes.

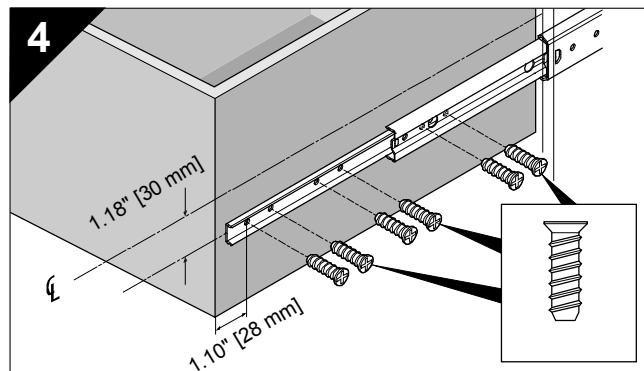
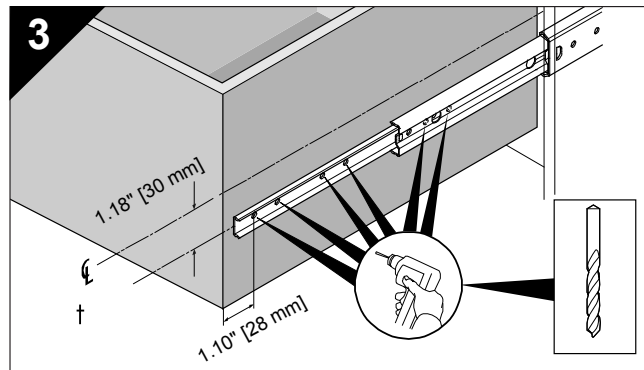
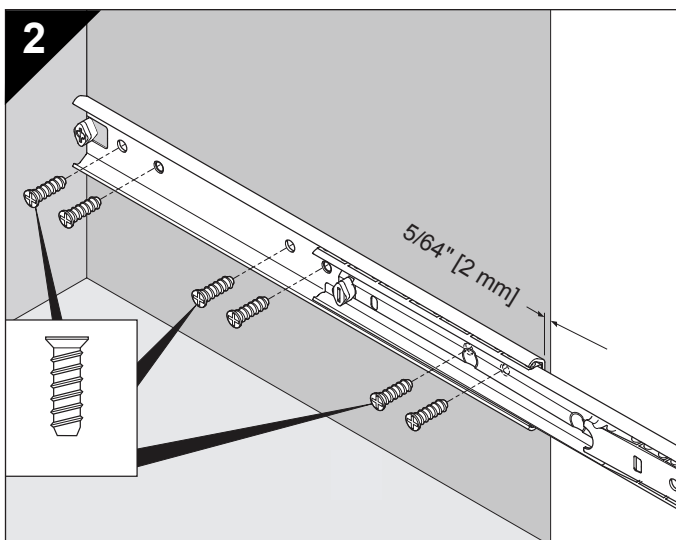
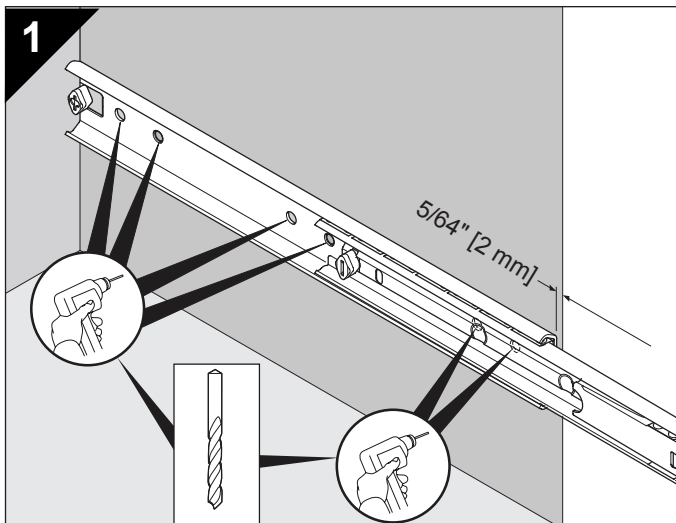
** Note: The lengths indicated in inches are approximate conversions from the metric measurements; please see the chart above for exact dimensions.

Installation Instructions

NOTE: It is recommend that all mounting holes are pre-drilled (Figures 1 and 3).

1. Use access holes provided for mounting slide members. Set back outer member (largest) 5/64" [2 mm] (Figure 1).
2. Install the outer member to the cabinet or rack using #10 [5 mm] countersunk screws or 6 mm Euro screws (Figure 2). Be sure slides are parallel.
3. Mount the slide inner member (smallest) to drawer or chassis using #10 [5 mm] countersunk screws or 6 mm Euro screws. Be sure slides are parallel. For flush mounted drawers locate the first mounting hole 1.10" [28 mm] from the drawer or chassis front. (Figure 4).
4. Check slide alignment by opening and closing the drawer or chassis. Any sign of binding indicates a side space, alignment or an out-of-square issue. To check for alignment loosen the screws and adjust the slide position until movement is smooth. Retighten screws and add additional screws if necessary to secure completely.

Note: To ensure proper slide operation, make certain that all mounting screws are secure so the screw heads are fully seated inside the slide (do not use washers). Use #10 [5 mm] flat head screws or 6 mm Euro screws. To achieve maximum load rating, use all mounting holes and for tall drawers or chassis exceeding 4" [100 mm], mount inner member 1.18" below centerline of the drawer or chassis. (Figure 4).



Packaging

Bulk (P) Pack: All lengths are packaged 10 pair per box. Packaging includes one pair of slides with installation instructions. Fasteners are **not** included.

Specifications

Slide Members: Stainless Steel
 Ball Retainers: Stainless Steel
 Ball Bearings: Stainless Steel
 Stainless Steel finish is RoHS compliant

NOTE: Specifications, materials, prices, terms, and delivery are subject to change without notice.

Slide Ordering Instructions

Complete your slide order for model SS5321 by specifying the following information:

	10 Pair	SS	5321	-18 P
Total Slides Required	_____	_____	_____	_____
Slide Finish	_____	_____	_____	_____
Slide Model	_____	_____	_____	_____
Slide Length	_____	_____	_____	_____
Bulk Packaging	_____	_____	_____	_____

(Fasteners are **not** included)

Accuride

ACCURIDE INTERNATIONAL INC.

12311 Shoemaker Avenue
 Santa Fe Springs, CA 90670

TEL (562) 903-0200
 FAX (562) 903-0208
 www accuride.com

Manufacturing, Engineering, and Sales
 United States • Germany • Japan • Mexico • United Kingdom • China

Copyright © 2007 Accuride International Inc. 3700-9514(1193)-MK120-R2-0609