

Accuride®

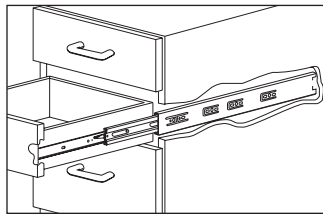
MODEL 3832EC DRAWER ADJUST

Easy-Close Feature
Vertical Drawer Adjustment

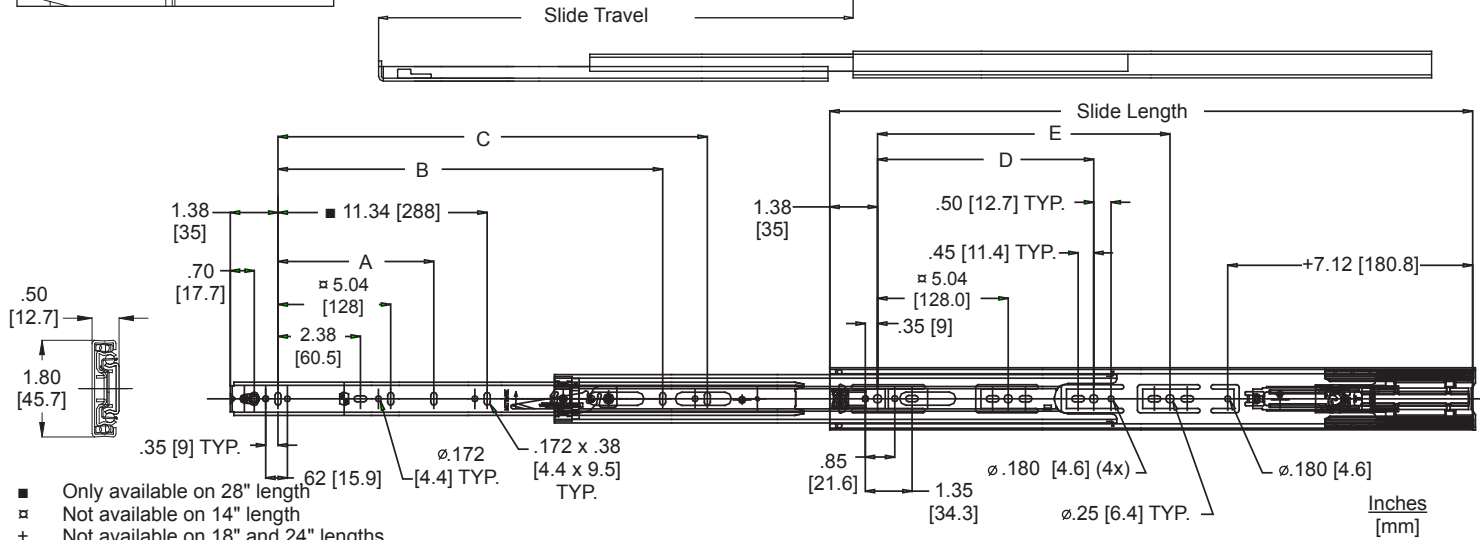
APPLICATIONS: For use in wood pedestals, dresser and desk drawers, casework, residential and kitchen cabinetry. *Not intended for lateral file drawer applications.* Use for side mount only. **This product is covered by U.S. (5,980,007) and various foreign patents issued and/or pending.**

3832EC QUICK REFERENCE

Side space: 1/2" + 1/32" x 2
Length: 14"–28"
Overall slide dimensions: 1.80" x 1/2"
Minimum drawer height: 1-7/8"
Load Rating: 100 lbs.*



Closed Position
Drawer member Flush or Under



Finish Clear electroplate (C), black electroplate (CB), or white electrocoat (EW) finish●

Length 3832EC: 14"–28"
[350 mm–705 mm]

Load Rating 3832EC slides rated at 100 lbs.
[45.5 kg.] per pair*

Travel Full extension

Disconnect Handed lever disconnect

Height 1.80" [45.7 mm]

Side Space .50" +0.031/-0.0
[12.7 mm +0.8/-0.0]

Mounting Side

Hardware Flat head 6 mm Euro System screw or #8 pan head screw

Ball Bearings C and CB finish: Steel
EW finish: Acetal polymer in drawer member

Features Easy-Close action brings drawer to a gentle close. Drawer member has vertical adjustment cam.

NOTE: Drawer width should not exceed slide length.

NOTE: For optimal performance, construct drawer 1-1/16" [27.0 mm] less than cabinet opening.

NOTE: Slides may not function properly if side space is less than .50" [12.7 mm].

Part Number	Slide Length	Travel	A	B	C	D	E
3832-C14EC	13.78 [350]	12.19 [307]		8.11 [206]			
3832-C16EC	15.75 [400]	16.00 [406]		10.12 [257]			
3832-C18EC	17.72 [450]	18.00 [457]		12.01 [305]		8.82 [224]	
3832-C20EC	19.68 [500]	20.00 [508]		12.60 [320]		8.82 [224]	
3832-C22EC	21.65 [550]	22.00 [559]		16.02 [407]	12.60 [320]	8.82 [224]	
3832-C24EC	23.62 [600]	24.00 [610]	8.82 [224]		16.38 [416]	8.82 [224]	13.86 [352]
3832-C26EC	25.59 [650]	26.00 [660]	8.82 [224]		16.38 [416]	8.82 [224]	13.86 [352]
3832-C28EC	27.56 [700]	28.00 [711]	8.82 [224]	16.38 [416]	21.42 [544]	8.82 [224]	13.86 [352]

* Load rating based on 18" slides mounted in a 16" wide drawer cycled 50,000 times.
● Clear and white finishes are RoHS compliant
◇ A lateral file drawer is wider than it is deep

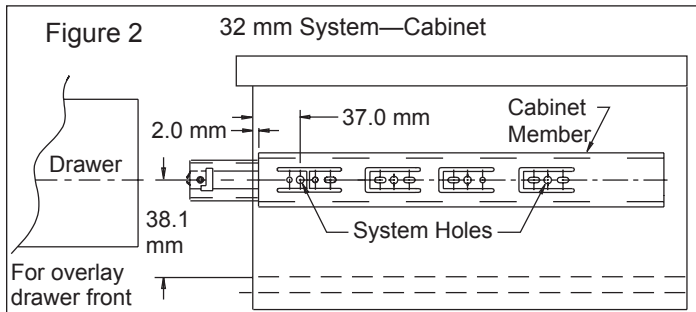
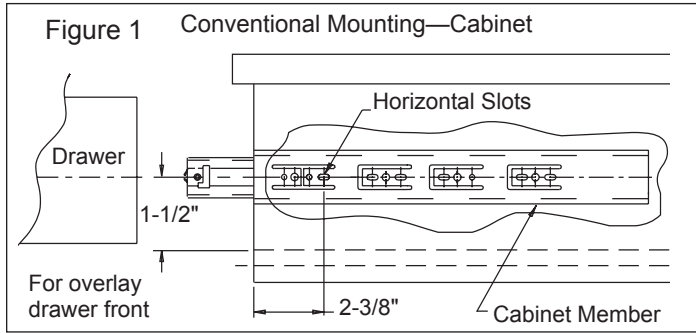
Installation Instructions

Drawer Box Preparation

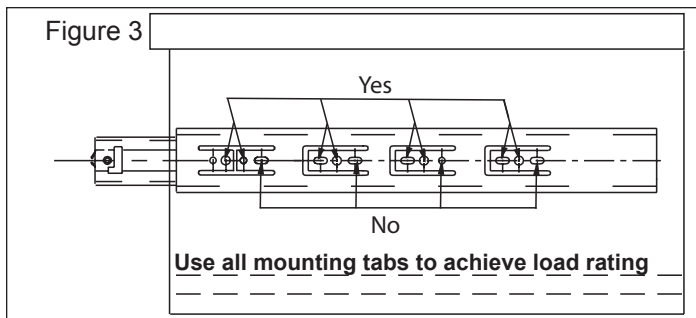
1. Drawer box width should not exceed slide length.
2. Slides will not function properly if side space is less than .50" [12.7 mm]. For optimum performance, construct drawer 1-1/16" [27.0 mm] smaller than cabinet opening.

Cabinet Member Installation

1. **Overlay drawer front:**
 - Conventional mounting, see Figure 1.
 - 32 mm system mounting, see Figure 2.
2. **Inset drawer front:** slide setback is the thickness of the drawer front plus 1/8" [3.2 mm].

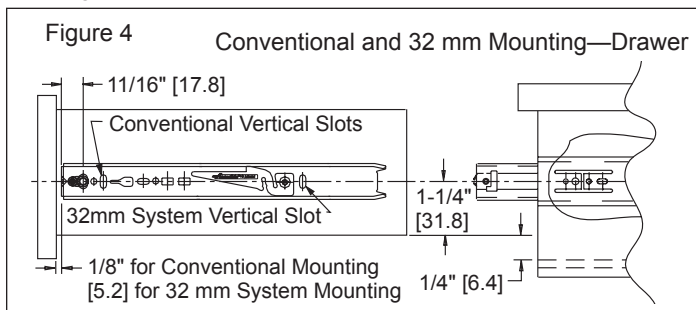


3. Use only the 32 mm system holes or the wood screw holes located at the tip of the breathing tabs. Do not use any other holes on the cabinet member for mounting (Figure 3).



Drawer Member Installation

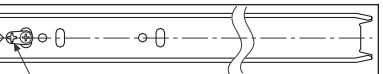
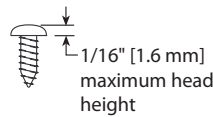
4. See Figure 4 for drawer member setback.
5. Install the drawer member with a screw through the cam adjuster and a screw through a hole or slot at the rear (Figure 5).



For the most current technical information visit www accuride.com

Figure 5

NOTE: Cam must install on same centerline as drawer member.



Cam Adjuster

NOTE: The cam is designed for use with the standard Accuride truss head screw. If using other screw, ensure screw head height does not exceed 1/16" [1.6mm] since it may cause interference.

Accuride part number 2410-3218-CE

Drawer Insertion and Adjustment

6. **Make sure the ball bearing retainers in the cabinet member are fully forward.** Insert the drawer member into the cabinet member. Push the drawer in until completely closed; the Easy-Close mechanism will click and engage. Cycle the drawer two or three times.
7. To adjust the drawer front position, open the drawer and rotate the cam with a Phillips or Pozi screwdriver to adjust the vertical position of the drawer. Total vertical adjustment is 1/8" [3.2 mm]; +/- 1/16" [1.6 mm] from center up and down.
8. Install additional set screws to secure. Install drawer pulls or knobs.

Slide Ordering Information

Complete your slide order for Accuride models 3832EC by specifying the following:

	50 Pair	C	3832	-C18	EC	D
Total Required Slides	_____	_____	_____	_____	_____	_____
Slide Finish	_____	_____	_____	_____	_____	_____
Slide Model	_____	_____	_____	_____	_____	_____
Slide Length	_____	_____	_____	_____	_____	_____
Easy-Close Feature	_____	_____	_____	_____	_____	_____
Polybag Packaging	_____	_____	_____	_____	_____	_____

Packaging

Distributor (D) Pack: All lengths are packaged 10 pair per box. Polybag includes one pair of slides with mounting screws.

Bulk (P) Pack: All lengths are packaged 10 pair per box. Slides and screws are ordered and packaged separately.

Available in clear (C), black (CB), and white (EW) finishes.

Specifications

Slide members and ball retainers: Cold rolled steel
Ball bearings: Carburized steel/acetal polymer.

Clear and white finishes are RoHS compliant.

NOTE: Specifications, materials, prices, terms, and delivery are subject to change without notice.

Accuride

ACCURIDE INTERNATIONAL INC.

12311 Shoemaker Avenue
Santa Fe Springs, CA 90670

TEL (562) 903-0200
FAX (562) 903-0208
www accuride.com

Manufacturing, Engineering, and Sales
United States • Germany • Japan • Mexico • United Kingdom • China

Copyright © 2007 Accuride International Inc. 3700-9508(1183)-MK114-R3-0209