

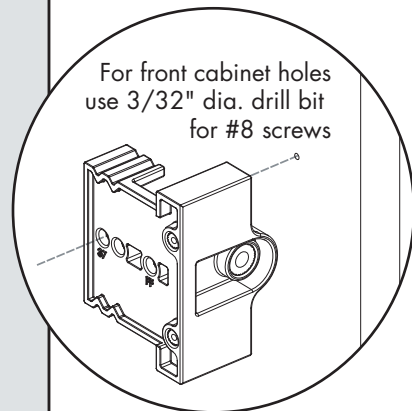
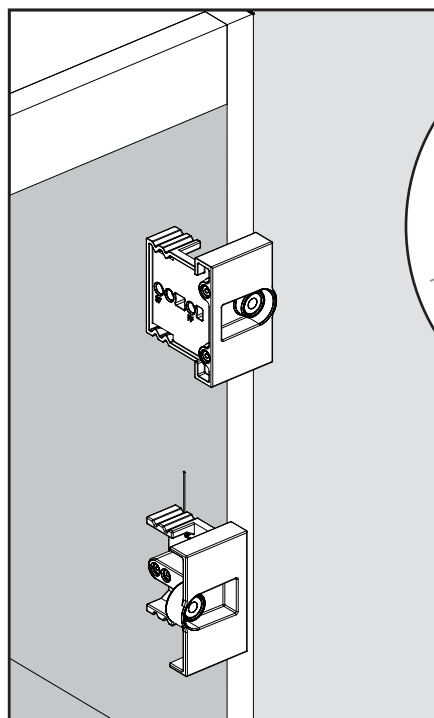
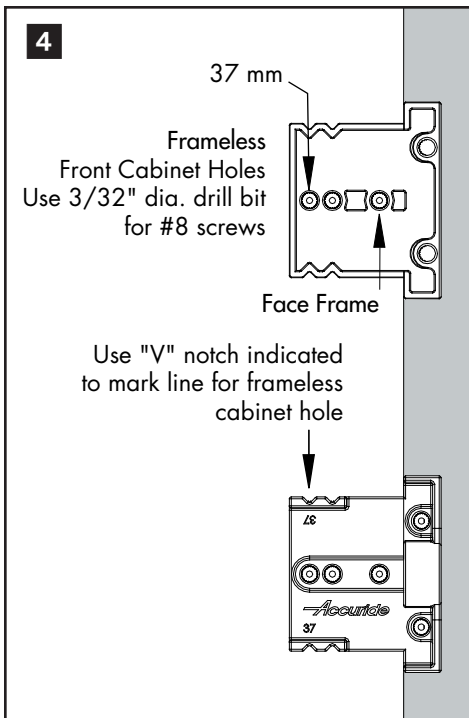
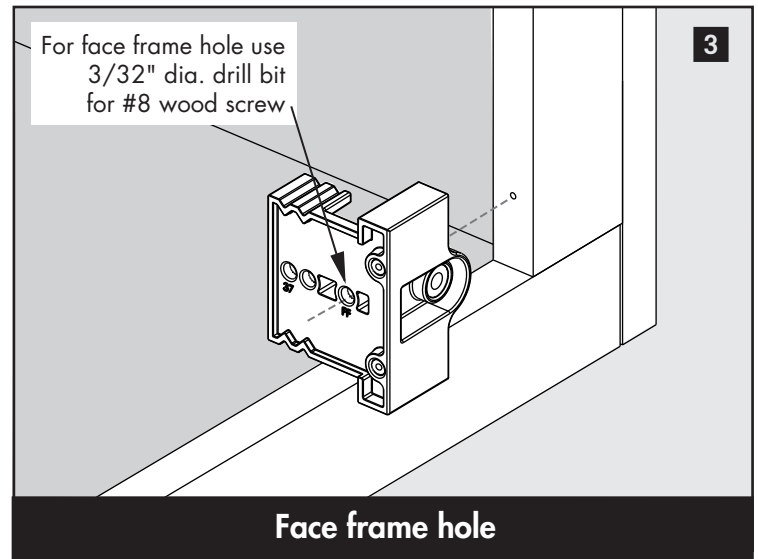
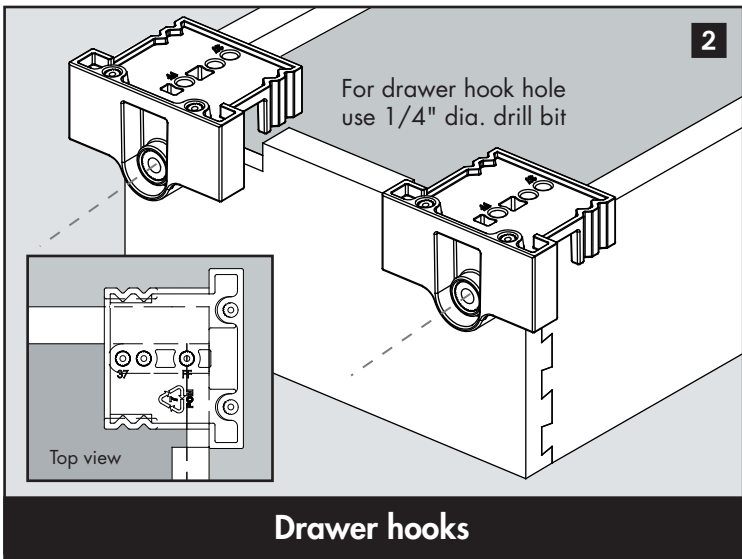
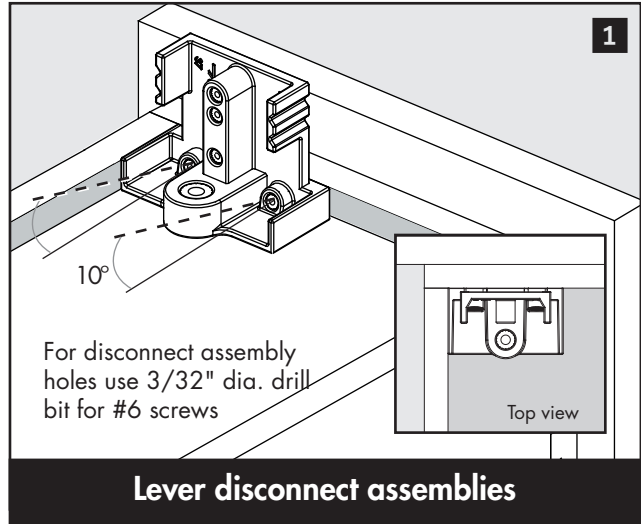
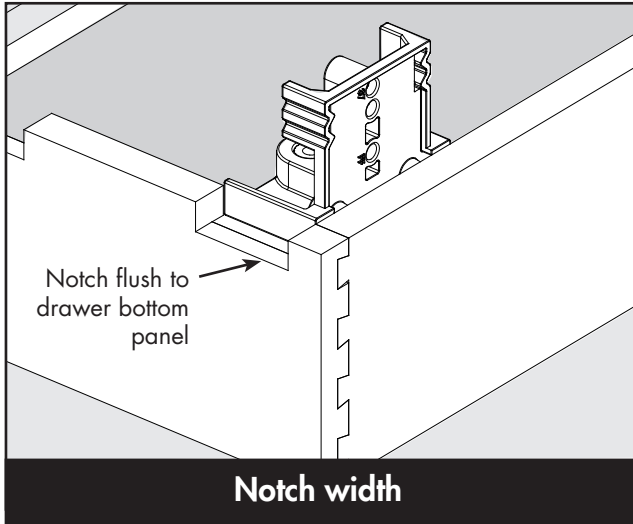
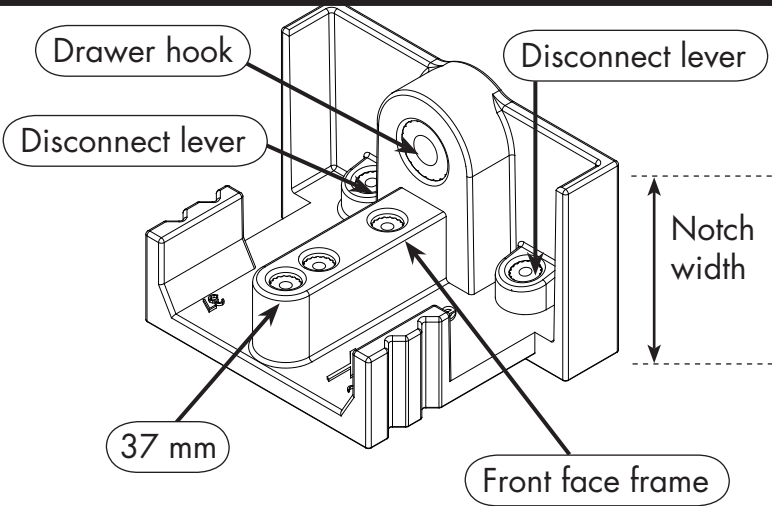
# ECLIPSE

MODELS 3132EC/3132SC  
JIG GUIDE

## Drill locations for:

- 1 Lever disconnect assemblies
- 2 Drawer hooks
- 3 Front face frame hole
- 4 Front side mount (37 mm)

Accuride recommends the use of the drill bit in the optional Accuride tool kit (PN 4180-0603-XE) to control drill depth when drilling.



## Frameless - Front cabinet holes

**Accuride**

[www accuride.com](http://www accuride.com)

General information:  
562-903-0200  
Tech Support:  
562-903-0389