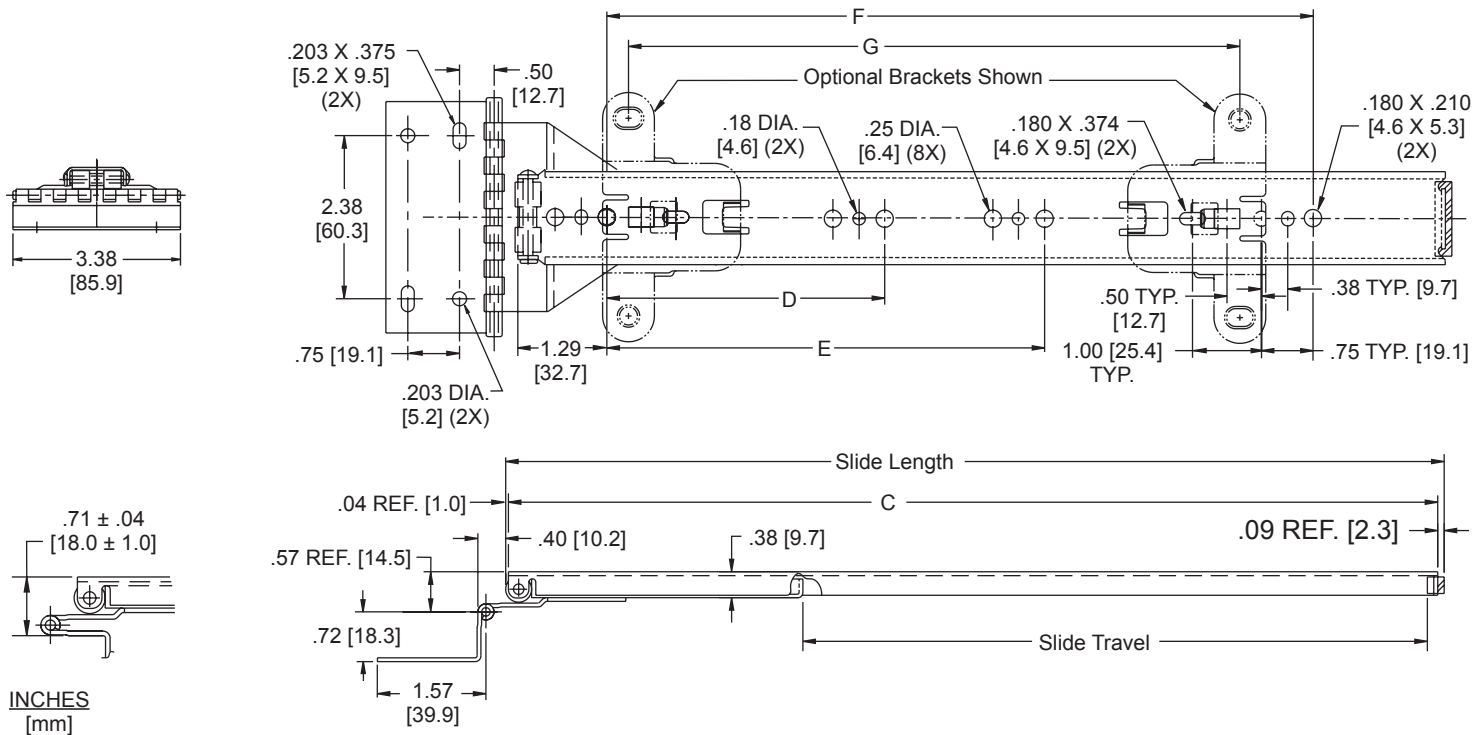
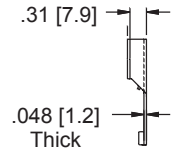
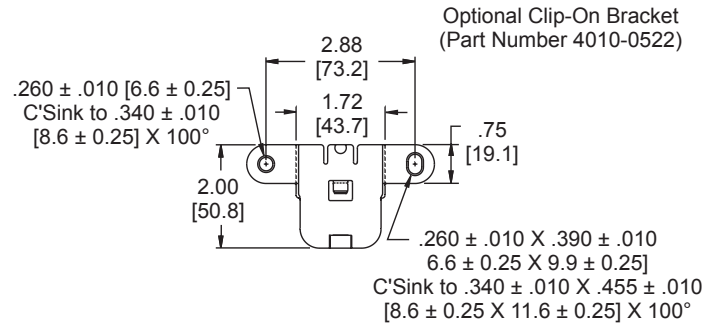
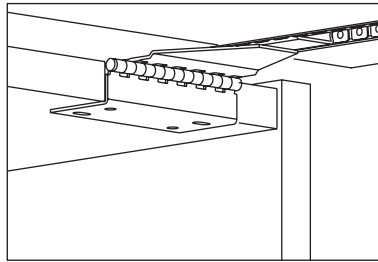


**APPLICATIONS:** Wood storage cabinets in open office systems, medical office storage cabinets, and other cabinets with doors rotating upward and retracting over the top. **Not recommended for vertical applications.**

Over the Top Flipper Door Slide®  
Up to 30 lb. [14 kg.] Capacity



INCHES  
[mm]

<b>Finish</b>	Bright electro-zinc (C) or black zinc † (CB) plating available
<b>Length</b>	10" to 24" [252 mm to 608 mm]
<b>Travel</b>	See chart
<b>Load</b>	Up to 30 lbs. [14 kg.] per pair
<b>Door Sizes</b>	Up to 36" [914 mm] wide doors
<b>Hardware</b>	#8 slotted pan head or slotted binding head screws
<b>Also</b>	Silenced open and closed

† Minimum order quantities may apply.

Part Number	Slide Length	Slide Travel	C	D	E	F	G
1145-10	9.94 [252.5]	6.32 [160.5]	9.81 [249.2]			6.60 [167.6]	5.45 [138.4]
1145-12	11.94 [303.3]	8.32 [211.3]	11.81 [300.0]	5.04 [128.0]		8.82 [224.0]	7.45 [189.2]
1145-14	13.94 [354.1]	10.32 [262.1]	13.81 [350.8]	5.04 [128.0]		8.82 [224.0]	7.45 [189.2]
1145-16	15.94 [404.9]	12.32 [312.9]	15.81 [401.6]	5.04 [128.0]		12.60 [320.0]	11.23 [285.2]
1145-18	17.94 [455.7]	14.32 [363.7]	17.81 [452.4]	5.04 [128.0]		13.86 [352.0]	12.49 [317.2]
1145-20	19.94 [506.5]	16.32 [414.5]	19.81 [503.2]	5.04 [128.0]		16.38 [416.0]	15.01 [381.3]
1145-22	21.94 [557.3]	18.32 [465.3]	21.81 [554.0]	5.04 [128.0]	13.86 [352.0]	18.90 [480.0]	17.53 [445.3]
1145-24	23.94 [608.1]	20.32 [516.1]	23.81 [604.8]	5.04 [128.0]	13.86 [352.0]	18.90 [480.0]	17.53 [445.3]

# Installation Instructions

## Model 1145 Wood Applications-3/4" [19.1 mm] min. thick door

**CAUTION:** During operation, the door may be over-rotated, stressing the slide-to-door mounting screws. When the clip-on brackets aren't used, mounting screws are quite short and may not hold sufficiently in particle composition doors such as MDF. Apply hot melt glue or similar adhesive to bottom of rout as slides are installed for an extra margin of safety.

- Whenever possible, use of the clip-on mounting brackets is recommended. These will allow use of 5/8" long screws for full thread purchase in softer door materials. See Figure 1 for routing dimensions.
- Clip brackets into special slots in slide.
- Mount slides using screws in slotted holes. This allows adjustment of door to cabinet opening. After fitting, install screws in round holes on brackets to secure in position.
- Rout case top to achieve desired gap. Move hinge assembly to bottom of door and align hinges to pre-drilled holes. See Figure 2.
- When clip-on brackets cannot be used, rout door for slides as shown in Figures 3 and 4. Routing to a depth of 11/32" [8.7 mm] will minimize gap behind door.
- Attach slides to door using short (7/16" max. length) screws. Check alignment to cabinet, adjust slide locations as required, and mark slide locations. Remove slides and reinstall using hot-melt or similar high-strength adhesive. Install screws (minimum of 4) using polymer glue, ensuring screw heads do not obstruct ball retainer.

## Slide Ordering Instructions

Complete your order for Accuride model 1145 by specifying the following:

Total Required Slides	_____	100 Pair	C	1145	-16	D
Slide Finish	_____					
Slide Model	_____					
Slide Length	_____					
Optional Polybag Packaging	_____					

## Optional Clip-On Brackets-Ordered Separately

Optional Clip-On Brackets

Clip-on brackets are unhandled. They are ordered in **bulk** or as a **kit**. For **bulk**, order 4 brackets for each pair of slides ordered.

Total Clip-On Brackets Required	_____	200 Each	4010-0522	-CE
(For 50 pair slide order)				
Bracket Part Number	_____			
Bracket Finish	_____			
(For zinc finish order "CE"; for black finish order "BE")				

For **kits**, order 1 bracket kit for each pair of slides ordered. Each kit contains 4 clip-on brackets and 8 bracket mounting screws.

Total Kits Required	_____	50 Each	4180-0325-XE	(Zinc Finish)
(For 50 pair slide order)		50 Each	4180-0326-XE	(Black Finish)
Kit Part Number	_____			

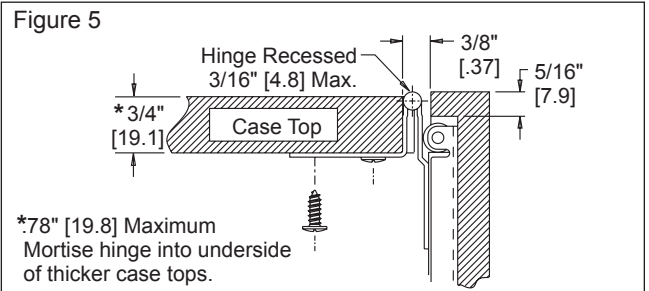
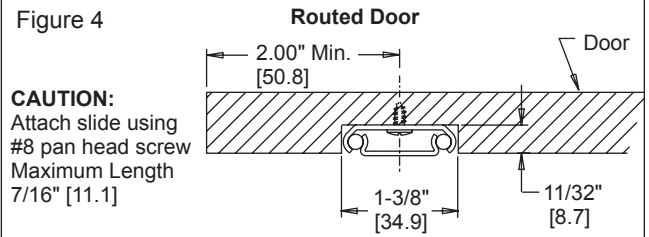
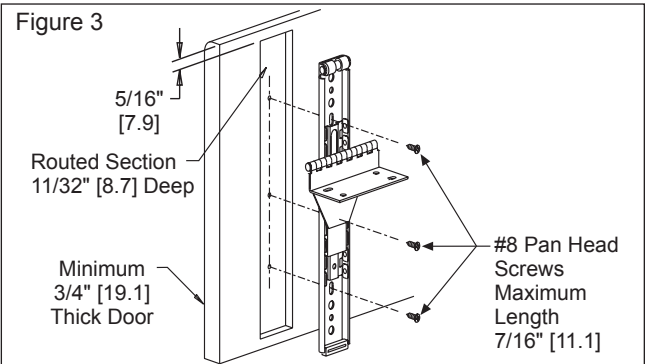
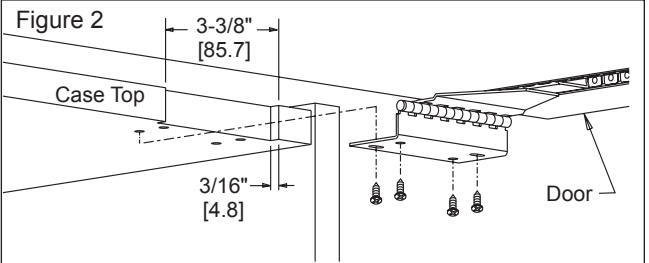
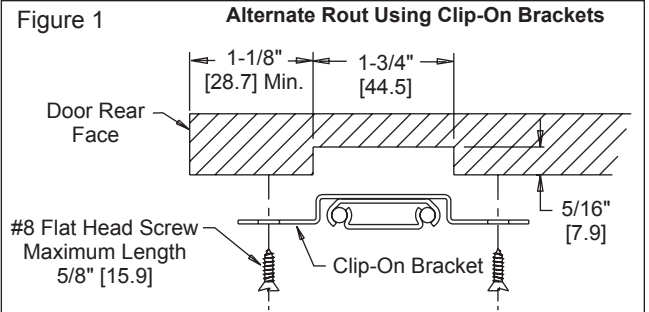
## Packaging

**Distributor (D) Pack:** All lengths are packaged 5 pair per box. Polybag includes 2 slides, 4 clip-on brackets, mounting screws, and installation instructions.

**Bulk (P) Pack:** Lengths 10"-22" are packaged 12 pair per box. Length 24" is packaged 6 pair per box. Mounting screws ordered separate.

## Specifications

Slide members and ball retainers: Cold rolled steel  
Ball bearings: Acetal polymer and carburized steel



**Note:** Specifications, materials, prices, terms, and delivery are subject to change without notice.

# Accuride

ACCURIDE INTERNATIONAL INC.

12311 Shoemaker Avenue  
Santa Fe Springs, CA 90670

TEL (562) 903-0200  
FAX (562) 903-0208  
www accuride.com

Manufacturing, Engineering, and Sales

United States • Germany • Japan • Mexico • United Kingdom • China