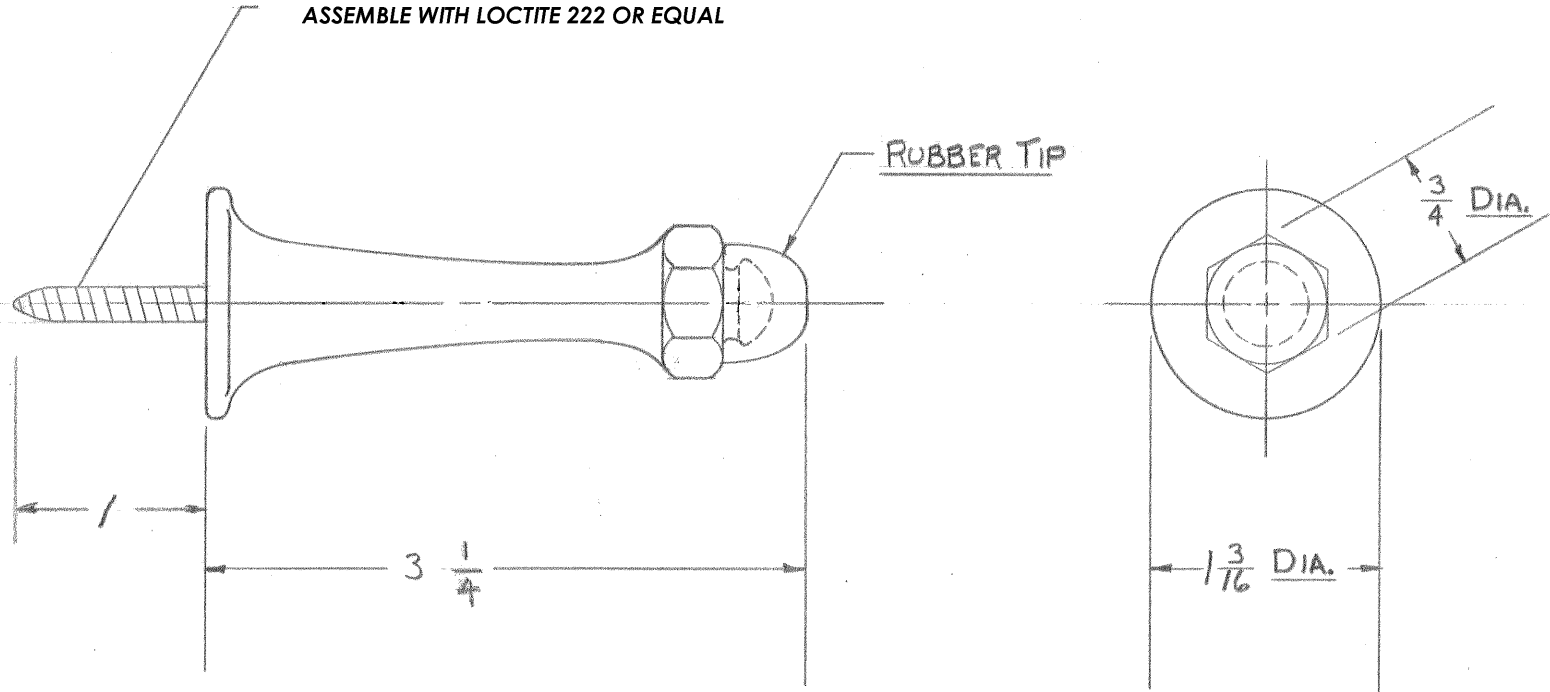


TEMPLATE DRAWING

DWG No. 190 A

61 COMBINATION SCREW (DWG NO. 1505)
ASSEMBLE WITH LOCTITE 222 OR EQUAL



64 DOOR STOP

LETTER	CHANGE	DATE
A.	61 COMBINATION SCREW WAS NO. 10 SHEET METAL SCREW	2/22/00
B		
C		

LOR-LEW 5-8-47

FULL SIZE

IVES DIVISION
LEIGH PRODUCTS, INC.
P. O. BOX 1887, NEW HAVEN, CONN. 06508