

CLIP top BLUMOTION 110° hinges



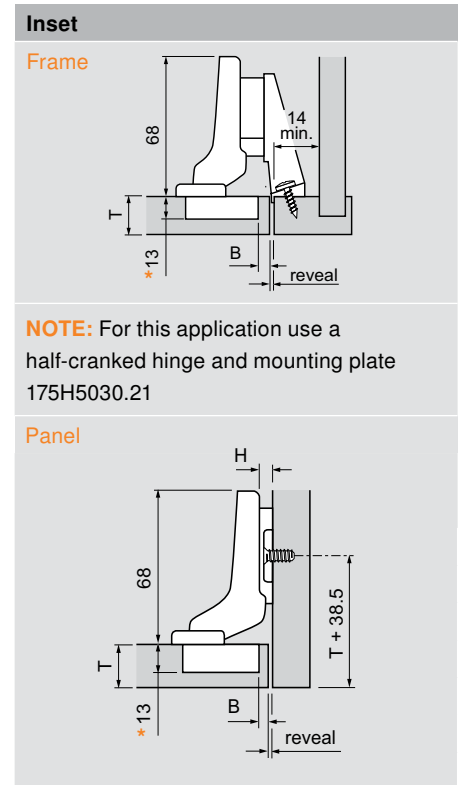
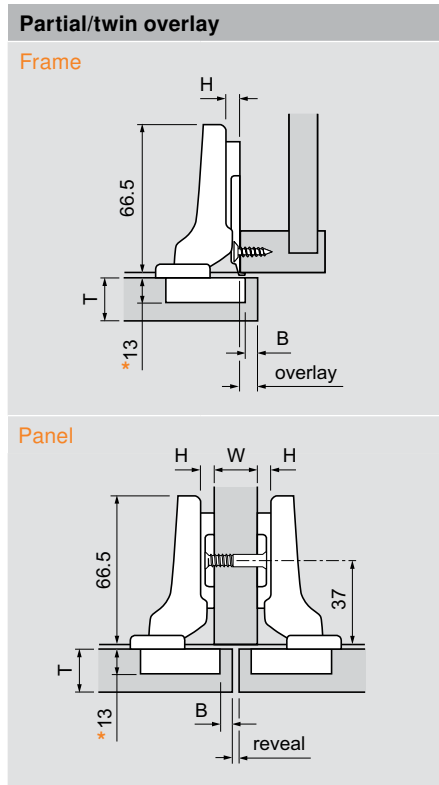
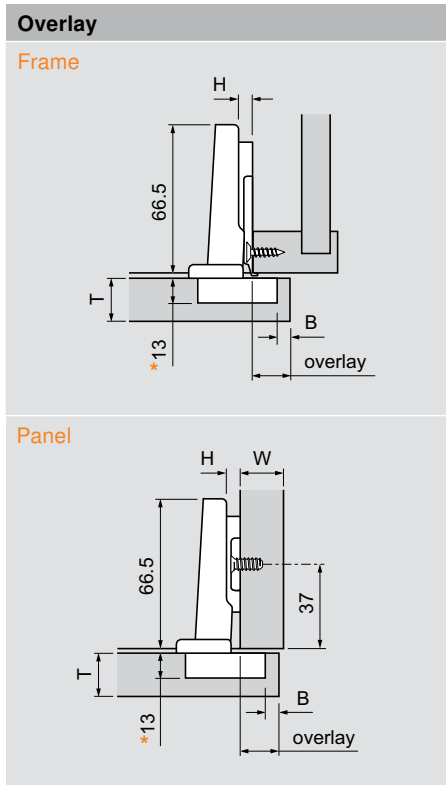
Features

- BLUMOTION integrated into the hinge cup
- New geometry for door thicknesses up to **26 (1")**
- New INSERTA design
- Boring distance range 3 — 7 mm
- Press-in hinges must be inserted with knock-in tool or universal insertion ram



Minimum reveal table						
3	0.5	1.0	1.8	2.7	4.3	
4	0.5	1.0	1.7	2.5	3.8	
5	0.5	0.9	1.7	2.4	3.4	
6	0.5	0.9	1.6	2.3	3.2	
7	0.5	0.9	1.6	2.2	3.0	
B = boring dist.	16	19	22	24	26	T = door thickness

Thickness greater than 26 trial app. recommended



NOTE: For this application use a half-cranked hinge and mounting plate 175H5030.21

* All 35 mm and 8 mm holes must be a minimum of 13 mm deep

H	Overlay					P	S
0	14	15	16	17	18	12	21.5
3	11	12	13	14	15	15	24.5
4.5	9.5	10.5	11.5	12.5	13.5	16.5	26
6	8	9	10	11	12	18	27.5
9	5	6	7	8	9	21	30.5
	3	4	5	6	7	Fixed dist.	
	B = boring distance					X = 11	

NOTE: 4.5 plate is only for use in frame cabinets, 9 plate is only for panel cabinets

H	Overlay					P	S
0	4.5	5.5	6.5	7.5	8.5	21.5	31
	3	4	5	6	7	Fixed dist.	
	B = boring distance					X = 1.5	

H	Reveal					P	S
0	4	3	2	1	—	30	39.5
	3	4	5	6	7	Fixed dist.	
	B = boring distance					X = -7	

H	Reveal					W	P	S
0	7	5	3	1	—	16		
	10	8	6	4	2	19	21.5	31
	13	11	9	7	5	22		
	3	4	5	6	7			
	B = boring distance							

Abbreviations

H	=	Plate height
P	=	Door protrusion
S	=	Side arm protrusion
W	=	Side panel width
X	=	Fixed distance

Straight-arm	Self close
Screw-on	71B3550
Press-in	71B3580
EXPANDO	71B358E
INSERTA	71B3590

Half-cranked (9.5 mm)	Self close
Screw-on	71B3650
Press-in	71B3680
INSERTA	71B3690

Full-cranked (18 mm)	Self close
Screw-on	71B3750
Press-in	71B3780
INSERTA	71B3790

* All 35 mm and 8 mm holes must be a minimum of 13 mm deep

Hinge cup centerpoint

C Cup centerpoint				
20.5	21.5	22.5	23.5	24.5
13/16"	27/32"	29/32"	15/16"	31/32"
3	4	5	6	7
B Bore distance				

Cup centerpoint is the MINIPRESS or MINIDRILL fence depth position.

Adjustments

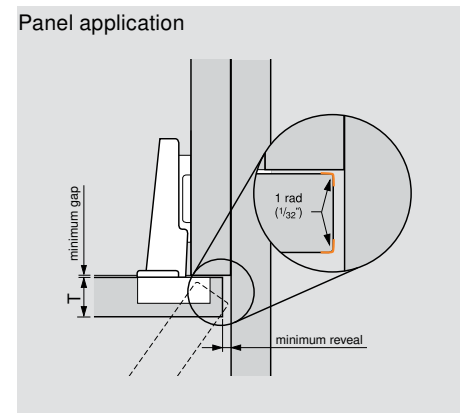
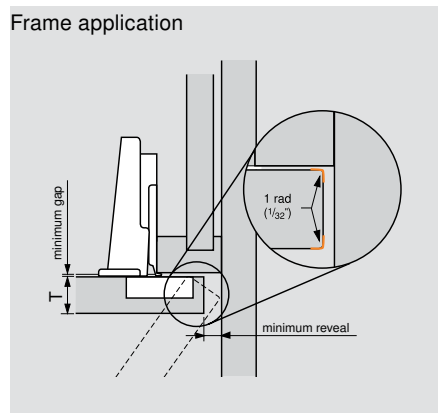
Side (±2 mm)	Height (±2 mm)	Depth (+3/-2 mm)

New geometry for thick door applications

Minimum reveals increase with door thickness. The following applications show common examples of necessary reveal and door gap for each door thickness.

The factory setting for the door gap (distance between the back of door and front of side panel/frame) is 1.5 mm. For full opening angle without contacting the side panel or frame, the gap behind the door and the minimum reveal must be adjusted according to the table below.

NOTE: All dimensions based on 1 mm door radius



3/4" thick door		
Minimum reveal	B Bore	Minimum gap behind door
1.0	3	1.5
1.0	4	1.5
.9	5	1.5
.9	6	1.5
.9	7	1.5

7/8" thick door		
Minimum reveal	B Bore	Minimum gap behind door
1.8	3	1.5
1.7	4	1.5
1.7	5	1.5
1.6	6	1.5
1.6	7	1.5

1" thick door		
Minimum reveal	B Bore	Minimum gap behind door *
4.3	3	1.5
3.8	4	1.5
3.4	5	2.2
3.2	6	3.2
3.0	7	4.2

* Factory setting is 1.5, may require adjustment

Knock-in tool and insertion ram

Press-in hinges must be inserted with knock-in tool or insertion ram only.

Knock-in tool



Insertion ram



Part no.

Knock-in tool	ZME.0710
Insertion ram	MZM.0040

Angle restriction clip

Restricts opening angle of the CLIP top BLUMOTION hinge to 86°. Angle restriction clip can be inserted after the hinge has been installed.



Part no.

Black nylon	70T3553
-------------	----------------

Hinge cup cover cap

For use with CLIP top BLUMOTION hinges only. Suitable for screw-on, press-in and EXPANDO hinge cups.



Part no.

Nickel plated steel	70T3554
---------------------	----------------